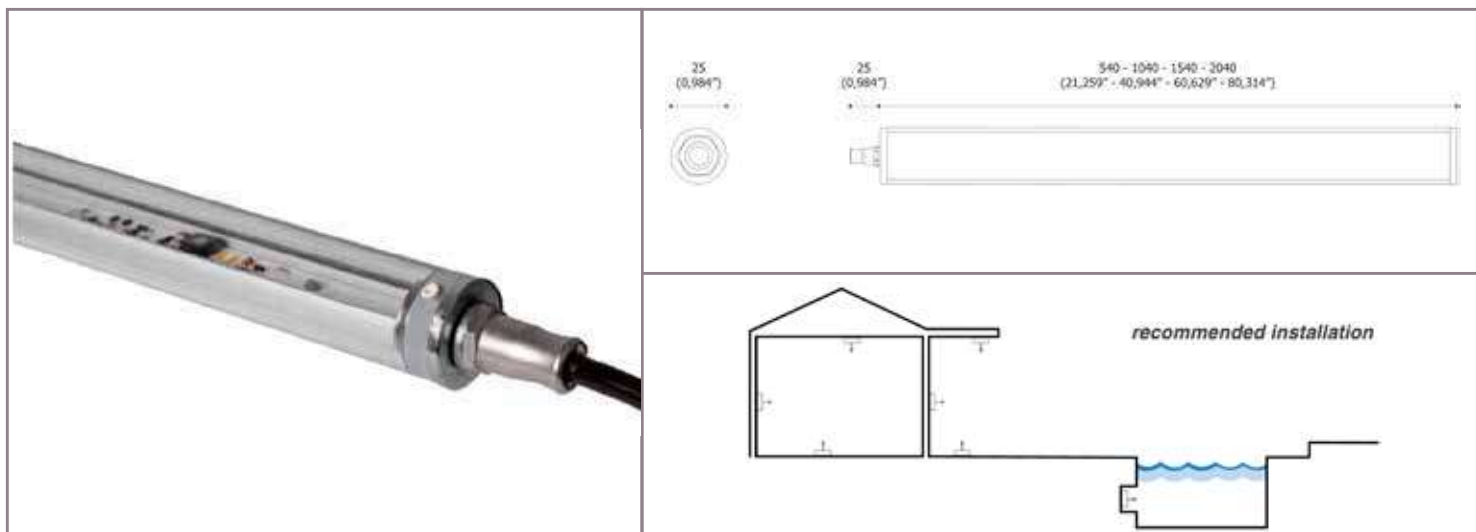


VITRO Monochromatic Power LED DATA-SHEET



PRODUCT DESCRIPTION:

Professional linear lighting system for direct and indirect lighting suitable for indoor, outdoor and underwater settings, permanent immersion down to 10 meters (32,8 ft).

Body finished aluminum, stainless steel and polycarbonate transparent. All the materials are suitable for use in swimming pools, fountains and with salt water. UV resistance of all materials.

TECHNICALS FEATURES:

Materials	Aluminium alloy extrusion UNI 6060 ; Stainless steel AISI 316L ; Polycarbonate
Finishes	Transparent colourless
Power Supply	24 Vdc constant voltage ($\pm 5\%$)
Power	12 W/m pitch 100 (3,937 in) ; 24 W/m pitch 50 (1,968 in)
Light Source	Power LED
Pitch	100 mm (3,937 in) ; 50 mm (1,968 in)
Color Temperature	2700 K ; 3000 K ; 4000 K
Ra	> 80
Chromatic Selection	Mac-Adam 2-step
Lifetime	> 50000 h (TM21)
Optics	Transparent diffuser 104°
Tc metal body	< 90 °C
Ta operating temperature	- 30 ÷ 50 C°
Ts surface temperature	≤ 65 °C
Functions	On/Off ; dimmable
Cable	AWM style 20233 2xAWG18 (Red;Black)+1xAWG20 (Violet) L. 1 m.
Weigth	572 g/m
Installations	Surface mounted (wall, floor, ceiling) - immersion
Norms	60598-1 ; 60598-2 and its parts



NOTE:

Power supplies, control&dimming devices and fixing kits must to be orderd separately. Aldabra power supply consumption is equal to 15% of the fixture nominal power.

Photometric data available at www.aldabra.it

VITRO Monochromatic Power LED DATA-SHEET

GENERAL FEATURES:

	power (W)	length mm (in)	pitch mm (in)
VIT.01.XXXXX.X	6	570 (22,44")	100 (3,937")
VIT.02.XXXXX.X	12	1070 (42,125")	100 (3,937")
VIT.03.XXXXX.X	17	1570 (61,811")	100 (3,937")
VIT.04.XXXXX.X	23	2070 (81,496")	100 (3,937")
VIT.05.XXXXX.X	12	570 (22,44")	50 (1,968")
VIT.06.XXXXX.X	24	1070 (42,125")	50 (1,968")
VIT.07.XXXXX.X	35	1570 (61,811")	50 (1,968")
VIT.08.XXXXX.X	47	2070 (81,496")	50 (1,968")

OPTICAL FEATURES:

VIT.XX.TXXXX.X	Transparent diffuser 104°
----------------	---------------------------

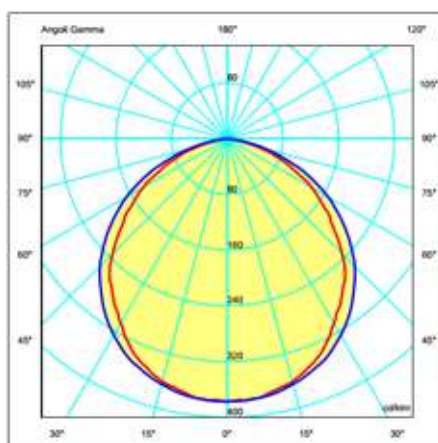
LIGHT FEATURES:

	Power LED	pitch (mm)	lm/m*	Ra	Chromatic selection
VIT.XX.X27XX.X	2700K warm white	100	862	>80	MacAdam 2-step
VIT.XX.X30XX.X	3000K warm white	100	898	>80	MacAdam 2-step
VIT.XX.X40XX.X	4000K neutral white	100	966	>80	MacAdam 2-step
VIT.XX.X27XX.X	2700K warm white	50	1723	>80	MacAdam 2-step
VIT.XX.X30XX.X	3000K warm white	50	1797	>80	MacAdam 2-step
VIT.XX.X40XX.X	4000K neutral white	50	1932	>80	MacAdam 2-step

*delivered luminous flux

FINISHES FEATURES:

VIT.XX.XXXP2.X	Polycarbonate
----------------	---------------



transparent diffuser 104°

GENERAL INFORMATIONS:

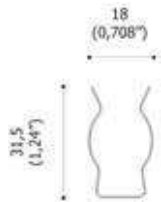
Kindly note that atmospheric agents (such as lightnings, etc) , electrostatics charges or disturbances on the installation not caused by Aldabra lighting fixtures and Led drivers indicated by Aldabra itself, may cause damages on the fixtures. It is necessary that the electrical installation where the LED lighting fittings and their power supply units and control gears are installed must be equipped with proper devices for the protection and suppression of transient phenomena (SPD, isolation transformer, etc...). Such devices must be coordinated with the other protections of the installation; on this theme, it's necessary to refer to the electrical installations norms which are in force in each country.

VITRO Monochromatic Power LED DATA-SHEET

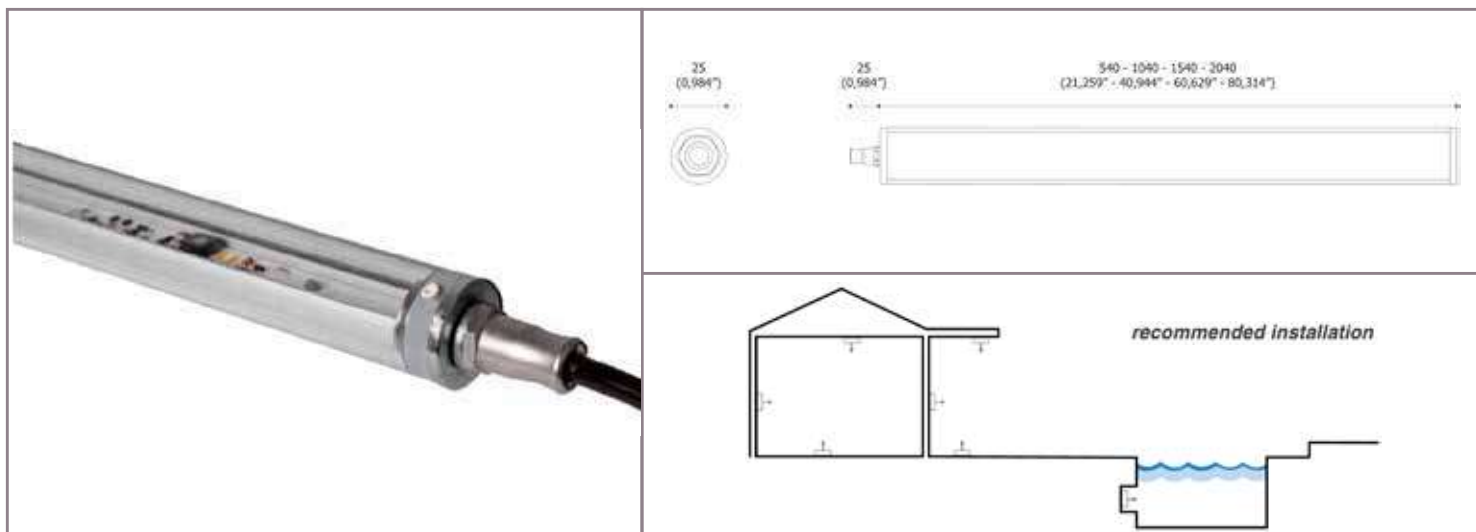
ACCESSORIES:

ACC.0072.0

stainless steel fixing spring



VITRO Monochromatic Mid-Power LED DATA-SHEET



PRODUCT DESCRIPTION:

Professional linear lighting system for direct and indirect lighting suitable for indoor, outdoor and underwater settings, permanent immersion down to 10 meters (32,8 ft).

Body finished aluminum, stainless steel and polycarbonate transparent. All the materials are suitable for use in swimming pools, fountains and with salt water. UV resistance of all materials.

TECHNICALS FEATURES:

Materials	Aluminium alloy extrusion UNI 6060 ; Stainless steel AISI 316L ; Polycarbonate
Finishes	Transparent colourless
Power Supply	24 Vdc constant voltage ($\pm 5\%$)
Power	8 W/m
Light Source	Mid-Power LED
Pitch	20 mm (0,787 in)
Color Temperature	2700 K ; 3000 K ; 3300 K ; 3700 K ; 5200 K
Ra	> 80
Chromatic Selection	Mac-Adam 3-step
Lifetime	> 50000 h (TM21)
Optics	Transparent diffuser 104°
Tc metal body	< 90 °C
Ta operating temperature	- 30 ÷ 50 C°
Ts surface temperature	≤ 65 °C
Functions	On/Off ; dimmable
Cable	AWM style 20233 2xAWG18 (Red;Black)+1xAWG20 (Violet) L. 1 m.
Weigth	572 g/m
Installations	Surface mounted (wall, floor, ceiling) - immersion
Norms	60598-1 ; 60598-2 and its parts



NOTE:

Power supplies, control&dimming devices and fixing kits must to be orderd separately. Aldabra power supply consumption is equal to 15% of the fixture nominal power. Photometric data available at www.aldabra.it

VITRO Monochromatic Mid-Power LED DATA-SHEET

GENERAL FEATURES:

	power (W)	length mm (in)	pitch mm (in)
VIT.09.XXXXX.X	4	570 (22,44")	20 (0,787")
VIT.10.XXXXX.X	8	1070 (42,125")	20 (0,787")
VIT.11.XXXXX.X	12	1570 (61,811")	20 (0,787")
VIT.12.XXXXX.X	15	2070 (81,496")	20 (0,787")

OPTICAL FEATURES:

VIT.XX.TXXXX.X	Transparent diffuser 104°
----------------	---------------------------

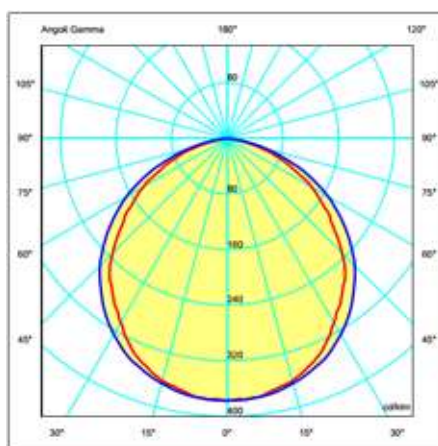
LIGHT FEATURES:

	Power LED	lm/m*	Ra	Chromatic selection
VIT.XX.X27XX.X	2700K warm white	168	>80	MacAdam 3-step
VIT.XX.X30XX.X	3000K warm white	188	>80	MacAdam 3-step
VIT.XX.X33XX.X	3300K warm white	188	>80	MacAdam 3-step
VIT.XX.X37XX.X	3700K neutral white	218	>80	MacAdam 3-step
VIT.XX.X52XX.X	5200K cool white	251	>80	MacAdam 3-step

*delivered luminous flux

FINISHES FEATURES:

VIT.XX.XXXP2.X	Polycarbonate
----------------	---------------



transparent diffuser 104°

GENERAL INFORMATIONS:

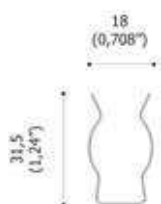
Kindly note that atmospheric agents (such as lightnings, etc) , electrostatics charges or disturbances on the installation not caused by Aldabra lighting fixtures and Led drivers indicated by Aldabra itself, may cause damages on the fixtures. It is necessary that the electrical installation where the LED lighting fittings and their power supply units and control gears are installed must be equipped with proper devices for the protection and suppression of transient phenomena (SPD, isolation transformer, etc...). Such devices must be coordinated with the other protections of the installation; on this theme, it's necessary to refer to the electrical installations norms which are in force in each country.

VITRO Monochromatic Mid-Power LED DATA-SHEET

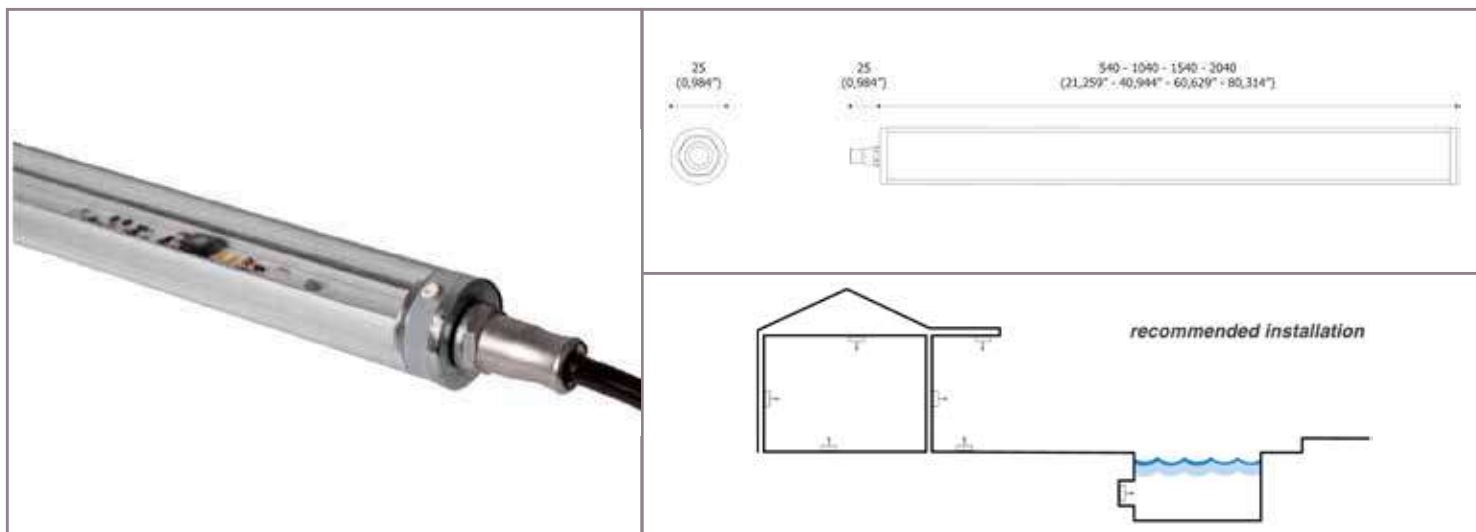
ACCESSORIES:

ACC.0072.0

stainless steel fixing spring



VITRO RGB DATA-SHEET



PRODUCT DESCRIPTION:

Professional linear lighting system for direct and indirect lighting suitable for indoor, outdoor and underwater settings, permanent immersion down to 10 meters (32,8 ft).
Body finished aluminum, stainless steel and polycarbonate transparent. All the materials are suitable for use in swimming pools, fountains and with salt water. UV resistance of all materials.

TECHNICALS FEATURES:

Materials	Aluminium alloy extrusion UNI 6060 ; Stainless steel AISI 316L ; Polycarbonate
Finishes	Transparent colourless
Power Supply	24 Vdc constant voltage (±5%)
Power	15 W/m
Light Source	Signal LED
Pitch	20 mm (0,787 in)
Dominant Wavelength	R=622nm, G=530nm, B=470nm
Lifetime	> 50000 h (L80B20)
Optics	Transparent diffuser 104°
Tc metal body	< 90 °C
Ta operating temperature	- 30 ÷ 50 C°
Ts surface temperature	≤ 65 °C
Functions	On/Off ; dimmable
Cable	2x AWM style 20233 2xAWG18 (Red;Black)+3xAWG20 (R/b, G/b, B/b) L. 1 m.
Weigth	572 g/m
Installations	Surface mounted (wall, floor, ceiling) - immersion
Norms	60598-1 ; 60598-2 and its parts



NOTE:

Power supplies, control&dimming devices and fixing kits must to be orderd separately. Aldabra power supply consumption is equal to 15% of the fixture nominal power.
Photometric data available at www.aldabra.it

VITRO RGB DATA-SHEET

GENERAL FEATURES:

	power (W)	length mm (in)	pitch mm (in)
VIT.01.XXXXX.X	8	570 (22,44")	20 (0,787")
VIT.02.XXXXX.X	15	1070 (42,125")	20 (0,787")
VIT.03.XXXXX.X	23	1570 (61,811")	20 (0,787")
VIT.04.XXXXX.X	30	2070 (81,496")	20 (0,787")

OPTICAL FEATURES:

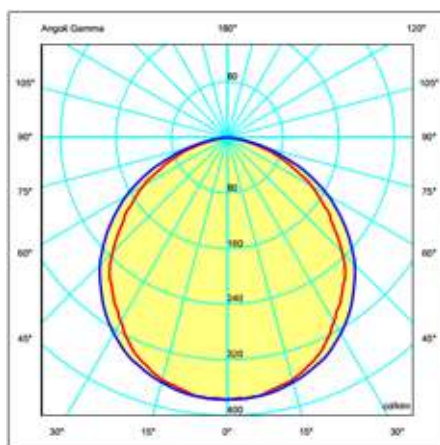
VIT.XX.TXXXX.X	Transparent diffuser 104°
----------------	---------------------------

LED FEATURES:

	Signal LED
VIT.XX.X90XX.X	R, G, B

FINISHES FEATURES:

VIT.XX.XXXP2.X	Polycarbonate
----------------	---------------



transparent diffuser 104°

GENERAL INFORMATIONS:

Kindly note that atmospheric agents (such as lightnings, etc) , electrostatics charges or disturbances on the installation not caused by Aldabra lighting fixtures and Led drivers indicated by Aldabra itself, may cause damages on the fixtures. It is necessary that the electrical installation where the LED lighting fittings and their power supply units and control gears are installed must be equipped with proper devices for the protection and suppression of transient phenomena (SPD, isolation transformer, etc...). Such devices must to be coordinated with the other protections of the installation; on this theme, it's necessary to refer to the electrical installations norms which are in force in each country.

VITRO RGB

DATA-SHEET

ACCESSORIES:

ACC.0072.0

stainless steel fixing spring

