



OL4 Solar Warning Light

The OL4 is a high-performance warning light designed to perform reliably at tough industrial locations including rail yards, construction zones, mining operations and more. Suitable for permanent, temporary or emergency installations, the OL4 is unrivaled by any other hazard marking or barricade light currently available.

- Dusk to dawn operation
- Lightweight, self-contained
- Sophisticated solar energy management
- Intuitive onboard user interface
- Intelligent deployment settings for reliable performance in a wide-range of locations
- Proven technology platform

Easy installation and Relocation

Lights are immediately operational following a simple installation process. No specialized work crews required.

Self-Contained and Low-Maintenance

All components are safely encased in a durable, rugged enclosure. The OL4 includes a replaceable battery pack that extends the total cost of ownership beyond 5 years and offers significant cost savings.

Intelligent Deployment Settings

The OL4 has the unique ability to be tuned to its precise installation location, protecting it against improper configuration.

Unprecedented Reliability

Microprocessor Energy Management System (EMS) monitors and adapts to environmental conditions for consistent operation and long life under the toughest conditions.

User-Friendly Design

Onboard user interface, optional Infrared Programmer and USB device manager software offer easy configuration and programming.

Green Solution

Recyclable batteries and a RoHS compliant design combined with natural solar charging ensure the lightest environmental footprint.



OL4

SPECIFICATIONS

Compliance	MIL-STD-202G: Humidity, immersion, vibration, shock
	MIL-STD-810G: Solar radiation, salt-fog
	EN 60945: ESD, EMI, EMC; IP68; L70
	FAA Advisory Circular AC 150/5370-2E Commercial Part 139 Airports for barricade and construction applications
	ICAO Annex 14, Volume 1, 4th edition (blue light)
Solar Panel	High-efficiency cells with bypass and blocking diode function
	Maximum power point tracking (MPPT) for optimal energy collection
Battery	Tool-less replaceable and recyclable best-in-class battery pack with extreme temperature range
	Battery status feedback of Good, Charge or Bad (Replace)
Light Source	High-powered LEDs
	Color-specific temperature corrected LED drivers provide consistent intensity under all operating conditions
Intensity	Greater than 10 cd intensity, steady-on
	18 cd peak intensity, flashing, 12.5% duty cycle (red LEDs)
Flash Patterns	256+
Construction	Premium-grade, UV-resistant, polycarbonate/polysiloxane co-polymer body and lens material
	Double O-ring sealing with waterproof vent
Colors	Red, blue, yellow, green, white
	ICAO and SAE25050 (FAA) compliant chromaticity
Color Indicator	Yes, FAA Eng. Brief 67 compliant
Temperature	-45 to 124 °F (-43 to 51 °C) operating
	-45 to 176 °F (-43 to 80 °C) storage
Weight	3.5 lbs (1.58 kg)
Wind Loading	400 mph (180 m/s)
Automatic Light Control (ALC)	When enabled, automatically adjusts to low levels of sunlight to provide continuous operation

ORDER OPTIONS

Model	Output	Switch	Control
OL4	Red Blue Green White Yellow	Switched Non-Switched	None GPS

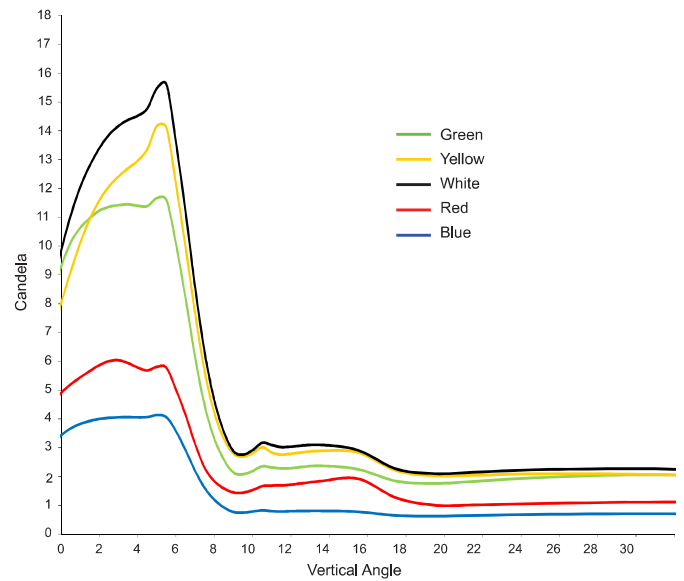
ACCESSORY ORDERING CODES

Additional bird deterrent (1 ships with each light)	57003
Bottom cover replacement kit	57392 (with switch)
	57393 (without switch)
Battery replacement pack	72835
Battery charger (includes multiple ends for international use)	59188 (100 - 240 VAC)
USB cable	57394
Device manager software	Contact Customer Support
Infrared programmer	69899
Magnetic mounting kit (3x magnets and hardware)	76296

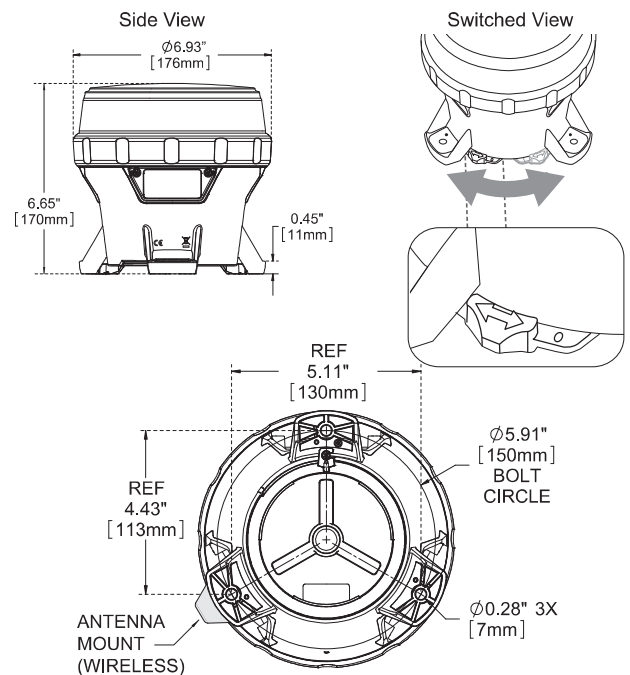
Additional accessories and mounting options available. For a complete list, consult our accessories specification sheet.



PHOTOMETRICS



TECHNICAL DRAWINGS AND DIMENSIONS



FLASH TECHNOLOGY

flashsales@sp.com | flashtechnology.com/obstruction | 1.615.503.2000

©2022 Flash Technology. All rights reserved. Data and specifications subject to change without notification. ISO 9001:2015. DOL40-01 Rev D