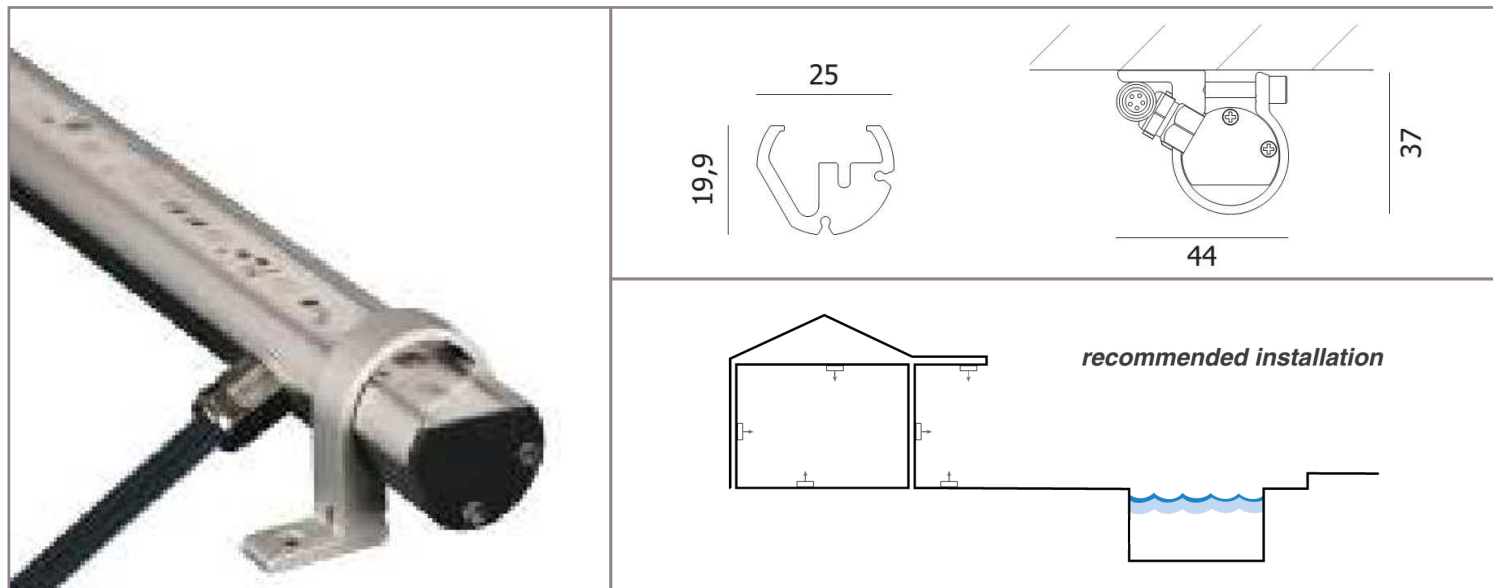


LF03 MONOCHROMATIC DATA-SHEET



TECHNICALS FEATURES:

Materials	Resins ; aluminium
Power Supply	24 Vdc constant voltage
Power	10 W (1020 mm) ; 20 W (2020 mm)
Luminous flux	500 lm/m
Light Source	Mid Power LED
Pitch	8,3 mm
Colour Temperature	2700 K ; 3700 K
Lifetime	> 30000 h
Screen	Transparent resin
Tc body	< 90 °C
Ta operating temperature	- 20 ÷ 50 °C
Ts surface temperature	≤ 65 °C
Functions	On/Off ; dimmable
Line Length limit	Max lenght with one power supply 7m
Cable IN	AWM style 20233 2xAWG18 (0,75mm ²) Red;Black Ø 5,2 mm L.1 m + male connector.
Cable OUT	AWM style 20233 2xAWG18 (0,75mm ²) Red;Black Ø 5,2 mm L.1 m + female connector.
Weigth	830 g/m
Installations	Surface (wall, floor, ceiling)
Norms	60598-1 ; 60598-2 and its parts



NOTE:

Power supplies, control&dimming devices and fixing kits must to be orderd separately. Aldabra power supply consumption is equal to 15% of the fixture nominal power.
Photometric data available at www.aldabra.it

LF03 MONOCHROMATIC DATA-SHEET

GENERAL FEATURES:

	power (W)	length (mm)
LF03.01.XXXXX.X	10	1020
LF03.02.XXXXX.X	20	2020

OPTICAL FEATURES:

LF03.XX.TXXXX.X	Transparent resin
-----------------	-------------------

LED FEATURES:

	Mid Power LED
LF03.XX.X27XX.X	2700 K warm white
LF03.XX.X37XX.X	3700 K neutral white

FINISHES FEATURES:

LF03.XX.XXXA1.X	Anodized aluminium
-----------------	--------------------

GENERAL INFORMATIONS:

Kindly note that atmospheric agents (such as lightnings, etc) , electrostatics charges or disturbances on the installation not caused by Aldabra lighting fixtures and Led drivers indicated by Aldabra itself, may cause damages on the fixtures. It is necessary that the electrical installation where the LED lighting fittings and their power supply units and control gears are installed must be equipped with proper devices for the protection and suppression of transient phenomena (SPD, isolation transformer, etc...). Such devices must to be coordinated with the other protections of the installation; on this theme, it's necessary to refer to the electrical installations norms which are in force in each country.

ACCESSORIES:

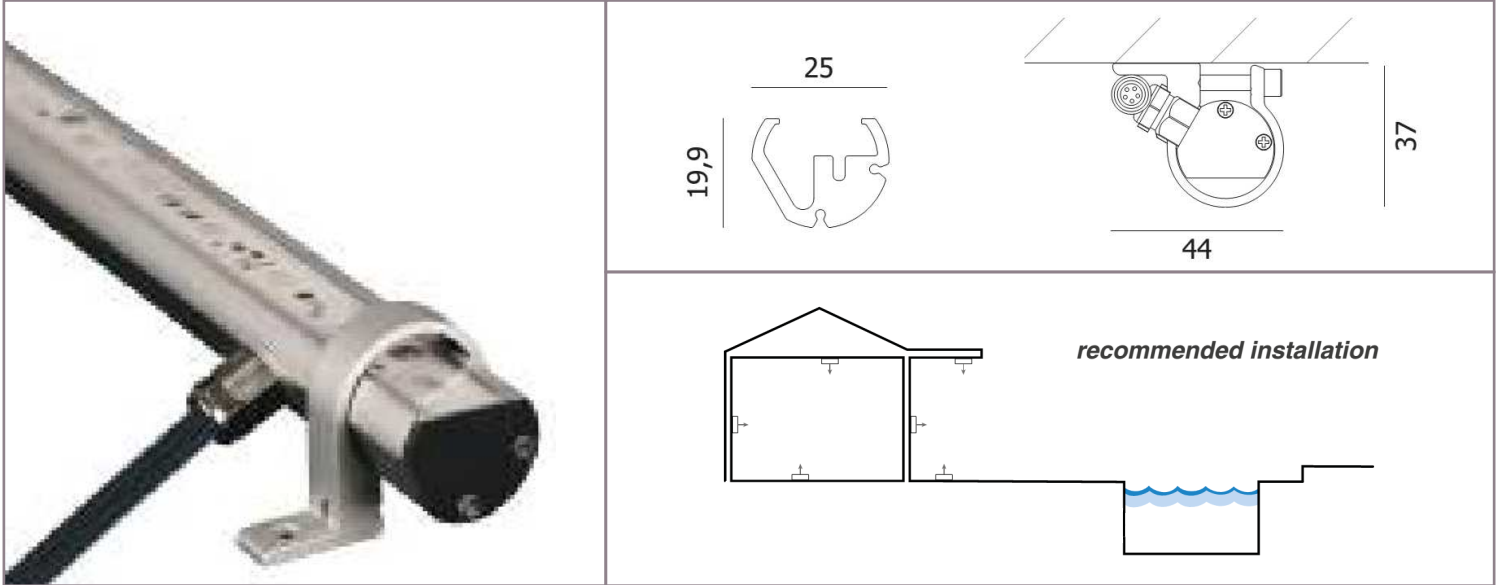
ACC.0046.0
fixing spring



ACC.0276.0
power supply with female
connector for ON-OFF - 1m



LF03 RGB DATA-SHEET



TECHNICALS FEATURES:

Materials	Resins ; aluminium
Power Supply	24 Vdc constant voltage
Power	18 W (1020 mm) ; 36 W (2020 mm)
Light Source	Signal LED RGB
Pitch	16,7 mm
Dominant Wavelength (nm)	R=625 , G=525 , B=470
Lifetime	> 30000 h
Screen	Transparent resin
Tc body	< 90 °C
Ta operating temperature	- 20 ÷ 50 °C
Ts surface temperature	≤ 65 °C
Functions	On/Off ; dimmable
Cable	AWM style 20233 1xAWG18 (0,75mm ²) (Red) + 3xAWG20 (0,5mm ²) (R/b, G/b, B/b) Ø 6,5 mm L. 1 m.
Weigth	830 g/m
Installations	Surface (ground, wall, ceiling)
Norms	60598-1 ; 60598-2 and its parts



NOTE:

Power supplies, control&dimming devices and fixing kits must to be orderd separately. Aldabra power supply consumption is equal to 15% of the fixture nominal power.
Photometric data available at www.aldabra.it



LF03 RGB DATA-SHEET

GENERAL FEATURES:

	power (W)	length (mm)
LF03.01.XXXXX.X	18	1020
LF03.02.XXXXX.X	36	2020

OPTICAL FEATURES:

LF03.XX.TXXXX.X	Transparent resin
-----------------	-------------------

LED FEATURES:

	Signal LED
LF03.XX.X90XX.X	R, G, B

FINISHES FEATURES:

LF03.XX.XXXA1.X	Anodized aluminium
-----------------	--------------------

GENERAL INFORMATIONS:

Kindly note that atmospheric agents (such as lightnings, etc) , electrostatics charges or disturbances on the installation not caused by Aldabra lighting fixtures and Led drivers indicated by Aldabra itself, may cause damages on the fixtures. It is necessary that the electrical installation where the LED lighting fittings and their power supply units and control gears are installed must be equipped with proper devices for the protection and suppression of transient phenomena (SPD, isolation transformer, etc...). Such devices must to be coordinated with the other protections of the installation; on this theme, it's necessary to refer to the electrical installations norms which are in force in each country.

ACCESSORIES:

ACC.0046.0
fixing spring

