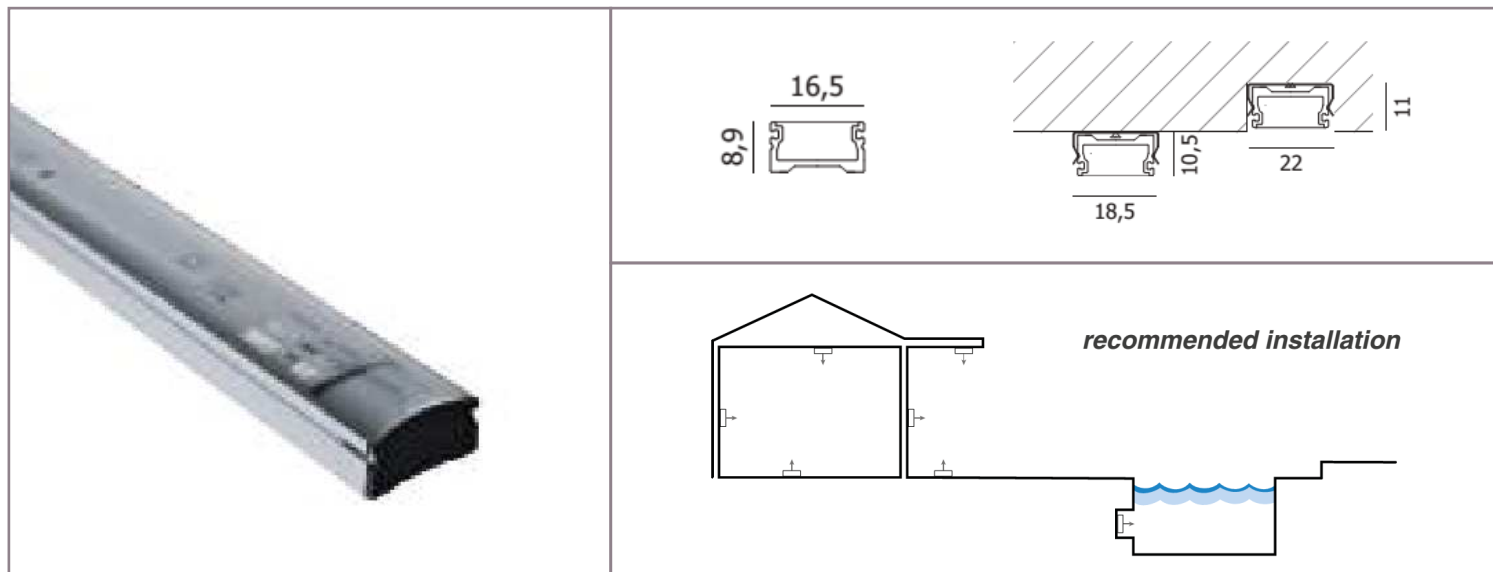


LF01 MONOCHROMATIC DATA-SHEET



TECHNICALS FEATURES:

Materials	Resins ; aluminium
Power Supply	24 Vdc constant voltage
Power	10 W (1020 mm) ; 20 W (2020 mm)
Luminous flux	500 lm/m
Light Source	Mid Power LED
Pitch	8,3 mm
Colour Temperature	2700 K ; 3700 K
Lifetime	> 30000 h
Screen	Transparent resin
Tc body	< 90 °C
Ta operating temperature	- 20 ÷ 50 °C
Ts surface temperature	≤ 65 °C
Functions	On/Off ; dimmable
Cable	AWM style 20233 2xAWG18 (0,75mm ²) (Red;Black) Ø 5,2 mm L. 1 m.
Weigth	250 g/m
Installations	Surface (ground, wall, ceiling)
Norms	60598-1 ; 60598-2 and its parts



NOTE:

Power supplies, control&dimming devices and fixing kits must to be orderd separately. Aldabra power supply consumption is equal to 15% of the fixture nominal power.
Photometric data available at www.aldabra.it

LF01 MONOCHROMATIC DATA-SHEET

GENERAL FEATURES:

	power (W)	length (mm)
LF01.01.XXXXX.X	10	1020
LF01.02.XXXXX.X	20	2020

OPTICAL FEATURES:

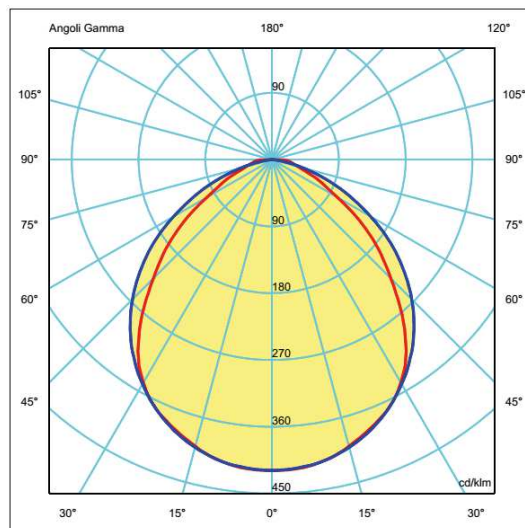
LF01.XX.TXXXX.X	Transparent resin
-----------------	-------------------

LED FEATURES:

	Mid Power LED
LF01.XX.X27XX.X	2700 K warm white
LF01.XX.X37XX.X	3700 K neutral white

FINISHES FEATURES:

LF01.XX.XXXA1.X	Anodized aluminium
-----------------	--------------------



GENERAL INFORMATIONS:

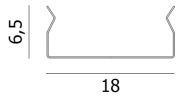
Kindly note that atmospheric agents (such as lightnings, etc) , electrostatics charges or disturbances on the installation not caused by Aldabra lighting fixtures and Led drivers indicated by Aldabra itself, may cause damages on the fixtures. It is necessary that the electrical installation where the LED lighting fittings and their power supply units and control gears are installed must be equipped with proper devices for the protection and suppression of transient phenomena (SPD, isolation transformer, etc...). Such devices must to be coordinated with the other protections of the installation; on this theme, it's necessary to refer to the electrical installations norms which are in force in each country.

LF01 MONOCHROMATIC DATA-SHEET

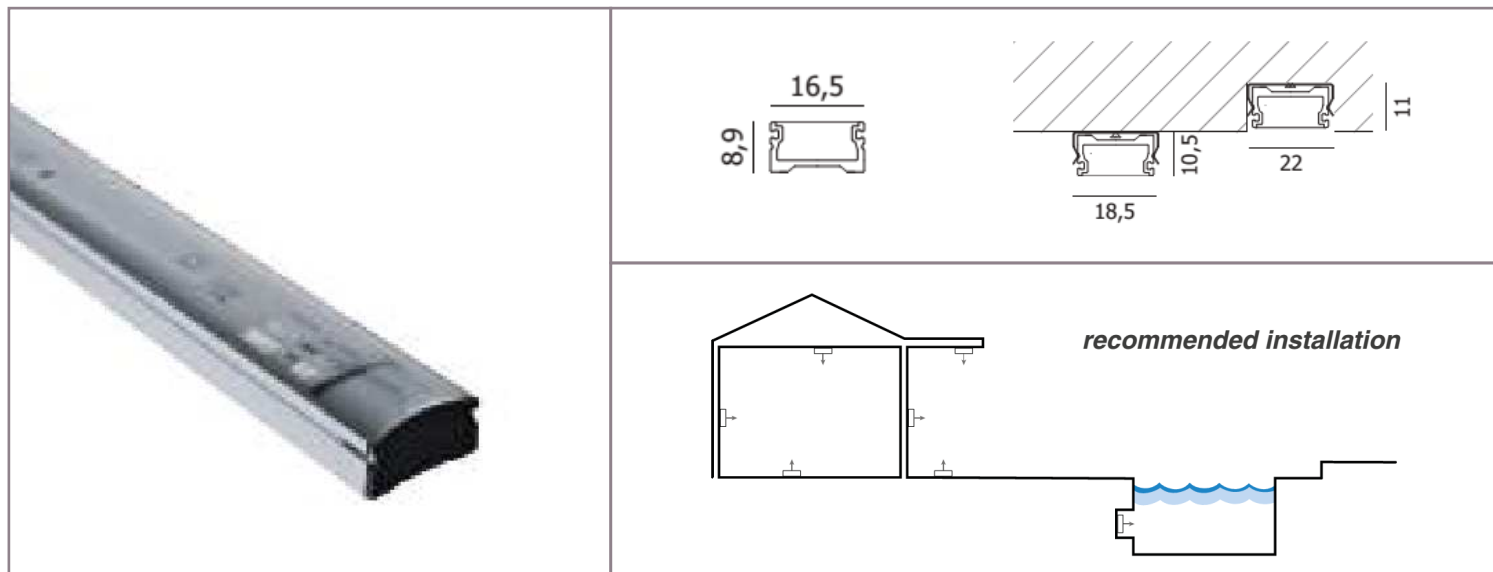
ACCESSORIES:

ACC.0046.0

Stainless steel fixing spring
5 pieces package

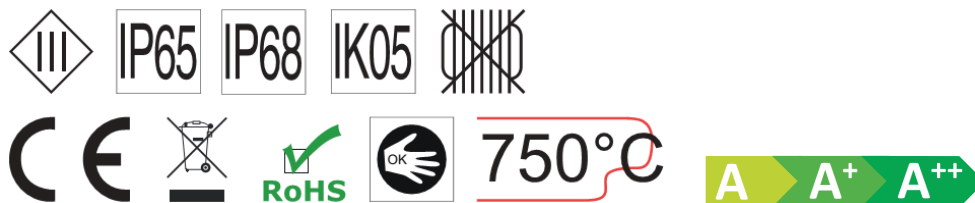


LF01 RGB DATA-SHEET



TECHNICALS FEATURES:

Materials	Resins ; aluminium
Power Supply	24 Vdc constant voltage
Power	18 W (1020 mm) ; 36 W (2020 mm)
Light Source	Signal LED RGB SMD5050
Pitch	16,7 mm
Dominant Wavelength (nm)	R=625 , G=525 , B=470
Lifetime	> 30000 h
Screen	Transparent resin
Tc body	< 90 °C
Ta operating temperature	- 20 ÷ 50 °C
Ts surface temperature	≤ 65 °C
Functions	On/Off ; dimmable
Cable	AWM style 20233 1xAWG18 (0,75mm ²) (Red) + 3xAWG20 (0,5mm ²) (R/b, G/b, B/b) Ø 6,5 mm L. 1 m.
Weigth	250 g/m
Installations	Surface (ground, wall, ceiling)
Norms	60598-1 ; 60598-2 and its parts



NOTE:

Power supplies, control&dimming devices and fixing kits must to be orderd separately. Aldabra power supply consumption is equal to 15% of the fixture nominal power.
Photometric data available at www.aldabra.it

LF01 RGB DATA-SHEET

GENERAL FEATURES:

	power (W)	length (mm)
LF01.01.XXXXX.X	18	1020
LF01.02.XXXXX.X	36	2020

OPTICAL FEATURES:

LF01.XX.TXXXX.X	Transparent resin
-----------------	-------------------

LED FEATURES:

	Signal LED
LF01.XX.X90XX.X	R, G, B

FINISHES FEATURES:

LF01.XX.XXXA1.X	Anodized aluminium
-----------------	--------------------

GENERAL INFORMATIONS:

Kindly note that atmospheric agents (such as lightnings, etc) , electrostatics charges or disturbances on the installation not caused by Aldabra lighting fixtures and Led drivers indicated by Aldabra itself, may cause damages on the fixtures. It is necessary that the electrical installation where the LED lighting fittings and their power supply units and control gears are installed must be equipped with proper devices for the protection and suppression of transient phenomena (SPD, isolation transformer, etc...). Such devices must to be coordinated with the other protections of the installation; on this theme, it's necessary to refer to the electrical installations norms which are in force in each country.

LF01 RGB DATA-SHEET

ACCESSORIES:

ACC.0046.0

Stainless steel fixing spring
5 pieces package

