

# Gunn Large Wash

## Product Description

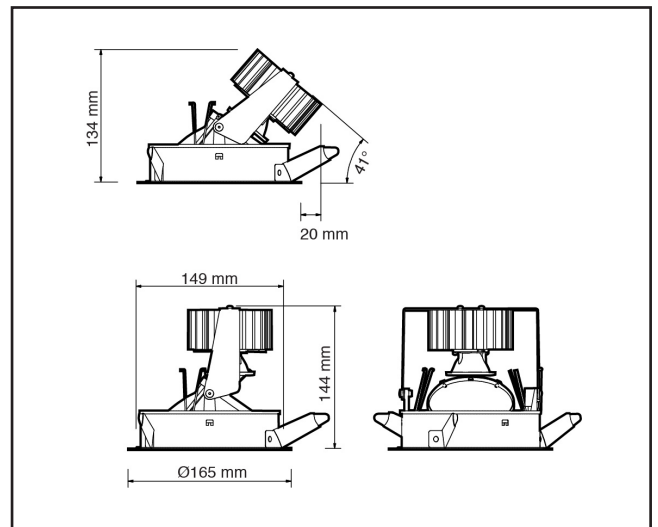
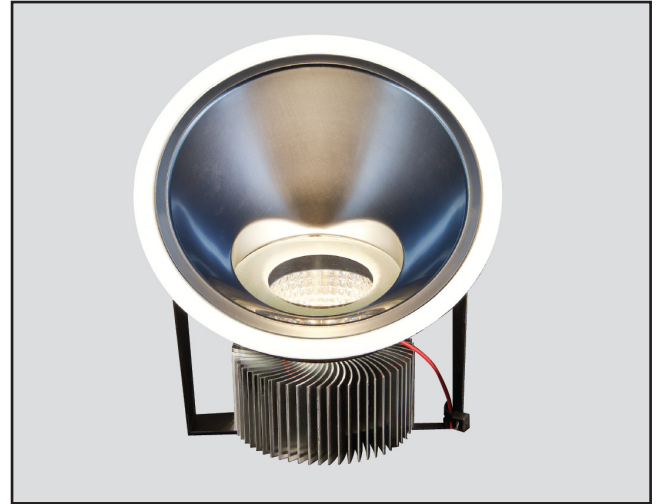
Professional LED angled downlight with dual reflector system to provide smooth glare-free output. Available in 21W and 35W versions. Multi-chip technology means constant colour temperature. Assembled in Australia from corrosion resistant componentry. Easily customised.

## Product Details

Application	Wall Washing
Trim Colours	White Black Custom Colours
Reflector Finishes	White, Specular, Gold, Black Champagne, Rose, Mustard, Ice Blue, Dark Satin
Materials	Anodised aluminium reflector and heatsink. 304 stainless steel fascia.

## Technical Data

Input Power	500mA (21W) or 900mA (35W) driver c/w flex and plug	
Power Consumption	21W or 35W	
Lumen Output		
(21W) 2700K	1200 lm	
(21W) 3000K	1363 lm	
(21W) 4000K	1500 lm	
(35W) 2700K	2250 lm	
(35W) 3000K	2500 lm	
(35W) 4000K	2750 lm	
CRI	92	
Lumen Maintenance	70% at 50 000 hrs	
Dimming	- TR Leading/Trailing Edge (Standard) - DD Dali Dim - DC 1-10V DC Control	
Cut Out	145 mm	



## Order Information

Specify fitting options as per example below to order.

Example: **GLW - 21W - 2 - 15R - 27K - NB - TR**

Fitting	Watts	Colour	Reflector	CCT	Beam	Dimming
<b>GLW</b>						

GLW	21W	2	15R	17R	27K	NB	TR
Gunn Large Wash	21 Watts	Black	Gold	Mustard	2700K	Narrow Beam	Leading/Trailing
	35W	3	16R	18R	3K	MB	DD
	35 Watts	White	Rose	Champagne	3000K	Medium Beam (26°)	Dali Dim
		6	2R	10R	4K	WB	DC
		Silver	Black	Dark Satin	4000K	Wide Beam (39°)	1-10V DC Control
		5	3R	11R			
		Custom	White	Ice Blue			

### Standard Reflector Colours

White

Specular

Gold

Black

Champagne



### Special Reflector Colours

Rose

Mustard

Ice Blue

Dark Satin



Reflectors are shown illuminated.