

Gunn fixed

Product Description

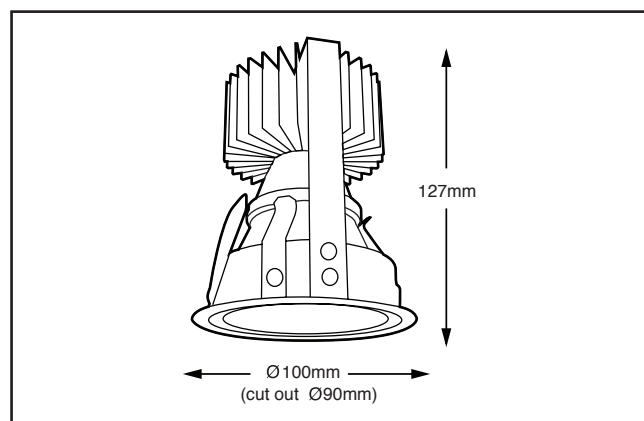
Professional LED fixed downlight with dual reflector system to provide smooth glare-free output. Available in either 15 or 21 Watt models. Multi-chip technology means constant colour temperature. Assembled in Australia from corrosion resistant componentry. Easily customised.

Product Details

Application	General Illumination
Trim Colours	White Black Custom Colours
Reflector Finishes	Dark Satin, White, Black Ice Blue, Rose, Mustard Champagne, Gold
Materials	Anodised aluminium reflector and heatsink. 304 stainless steel fascia

Technical Data

Input Power	240V 350mA (15W) or 500mA (21W) driver c/w flex and plug	
Power Consumption	15W or 21W	
Colour Temperature Available	2700K 3000K 4000K	
Lumen Output		
(15W) 2700K	900 lm	
(15W) 3000K	1000 lm	
(15W) 4000K	1100 lm	
(21W) 2700K	1200 lm	
(21W) 3000K	1363 lm	
(21W) 4000K	1500 lm	
CRI	92	
Lumen Maintenance	70% at 50 000 hrs	
Dimming	TR Leading/Trailing Edge (Standard) DD Dali Dim DC 1-10V DC Control	
Cut Out	90mm	



Order Information

Specify fitting options as per example below to order.

Example: **GF - 15W - 2 - 15R - 27K - NB - TR**

Fitting	Watts	Colour	Reflector	CCT	Beam	Dimming
GF						

GF	Watts	Colour	Reflector	CCT	Beam	Dimming
Gunn Fixed	15 Watts 21 Watts	2 Black 3 White 6 Silver 5 Custom	15R Gold 17R Mustard 16R Rose 18R Champagne 2R Black 10R Dark Satin 3R White 11R Ice Blue	27K 2700K 3K 3000K 4K 4000K	NB Narrow Beam (24°) MB Medium Beam (38°) WB Wide Beam (60°)	TR Leading/Trailing DD Dali Dim DC 1-10V DC Control

Standard Reflector Colours

White

Specular

Gold

Black

Champagne



Special Reflector Colours

Rose

Mustard

Ice Blue

Dark Satin



Reflectors are shown illuminated.