

Gunn Large Fixed

Product Description

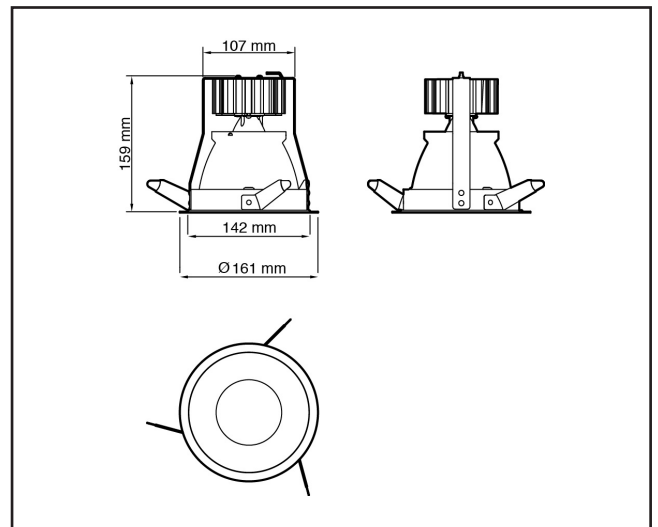
Professional LED fixed downlight with dual reflector system to provide smooth glare-free output. Available in 21W and 35W versions. Multi-chip technology means constant colour temperature. Assembled in Australia from corrosion resistant componentry. Easily customised.

Product Details

Application	General Illumination
Trim Colours	White Black Custom Colours
Reflector Finishes	White, Specular, Gold, Black Champagne, Rose, Mustard, Ice Blue, Dark Satin
Materials	Anodised aluminium reflector and heatsink. 304 stainless steel fascia

Technical Data

Input Power	500mA (21W) or 900ma (35W) driver c/w flex and plug
Power Consumption	21W or 35W
Lumen Output	
(21W) 2700K	1200 lm
(21W) 3000K	1363 lm
(21W) 4000K	1500 lm
(35W) 2700K	2250 lm
(35W) 3000K	2500 lm
(35W) 4000K	2750 lm
Lumen Maintenance	70% at 50 000 hrs
Dimming	- TR Leading/Trailing Edge (Standard) - DD Dali Dim - DC 1-10V DC Control
Cut Out	145 mm



Order Information

Specify fitting options as per example below to order.

Example: **GLF - 21W - 2 - 15R - 27K - NB - TR**

Fitting	Watts	Colour	Reflector	CCT	Beam	Dimming
GLF						

Fitting	Watts	Colour	Reflector	CCT	Beam	Dimming
GLF Gunn Large Fixed	21W 21 Watts 35W 35 Watts	2 Black 3 White 6 Silver 5 Custom	15R Gold 16R Rose 2R Black 3R White 17R Mustard 18R Champagne 10R Dark Satin 11R Ice Blue	27K 2700K 3K 3000K 4K 4000K	NB Narrow Beam MB Medium Beam (26°) WB Wide Beam (39°)	TR Leading/Trailing DD Dali Dim DC 1-10V DC Control

Standard Reflector Colours

White

Specular

Gold

Black

Champagne



Special Reflector Colours

Rose

Mustard

Ice Blue

Dark Satin



Reflectors are shown illuminated.