

SkyBeam

SOLAR LIGHTING POLE VERTICAL SERIES



High Brightness
Up to 160lm/W



Anti-BlackOut
without Worry



Biodiversity
Protection



IP65
Waterproof



Hybrid function
(Solar & Grid)



Remote
Control

More Designs

Height:

4000mm

4500mm

5000mm

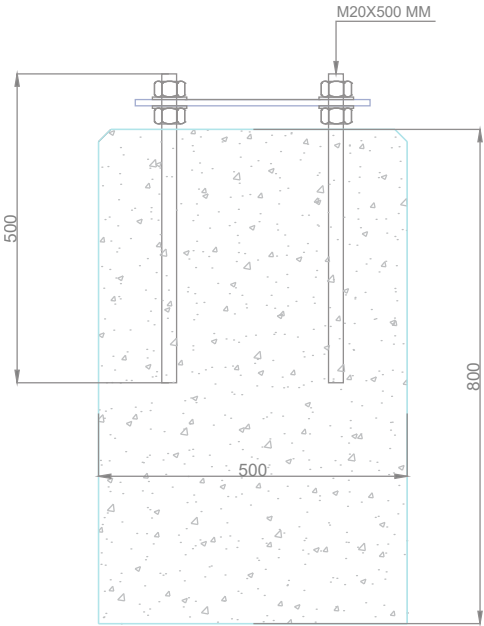
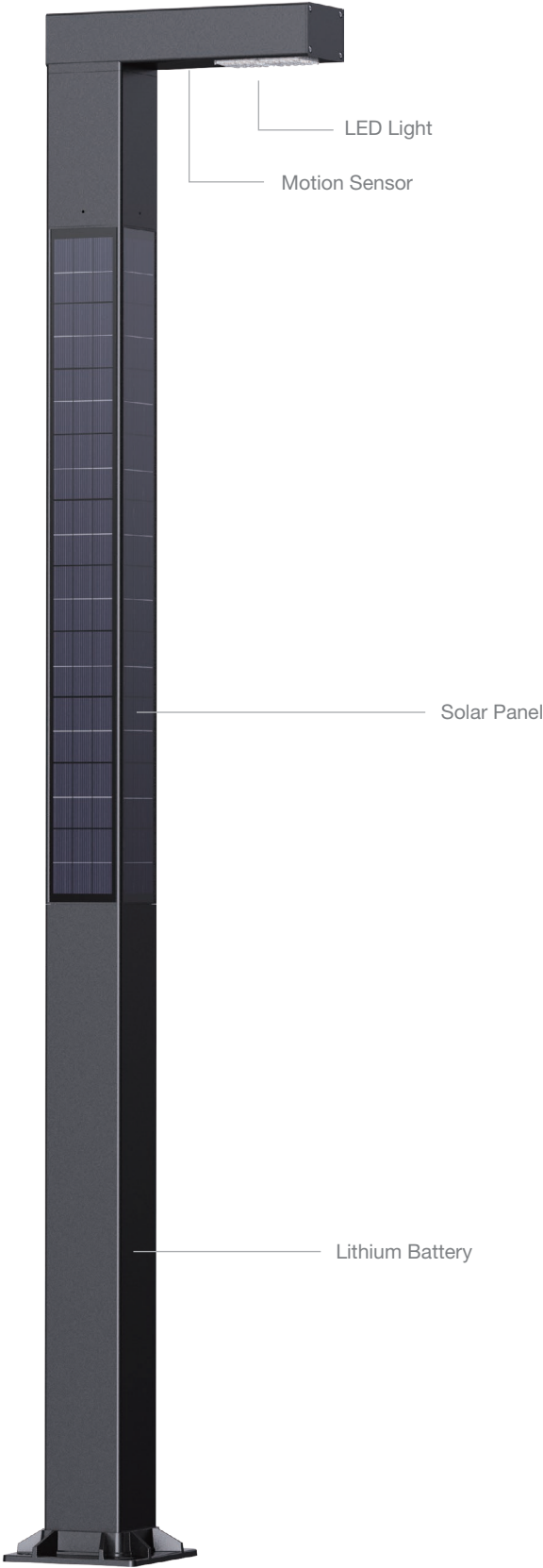
5500mm

6000mm

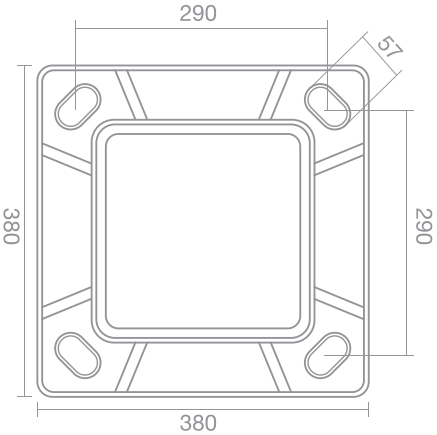
Customized



Key Components & Installation

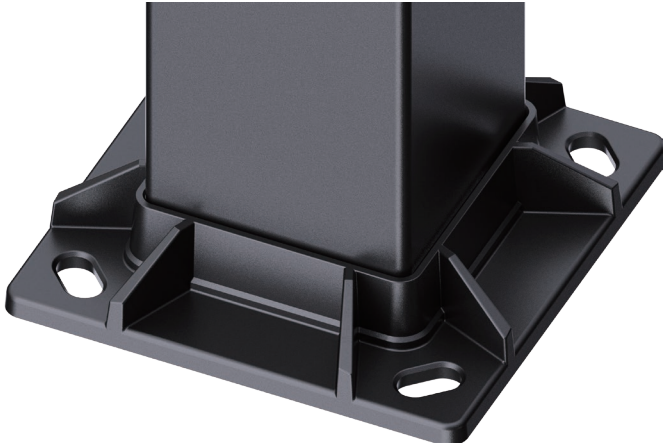


Foundation 500x500x800 mm



Flange Size

Unit : mm



Key Components & Features

Square PV Module

Separate solar module design, easier and safer for transportation and installation as well as maintenance.

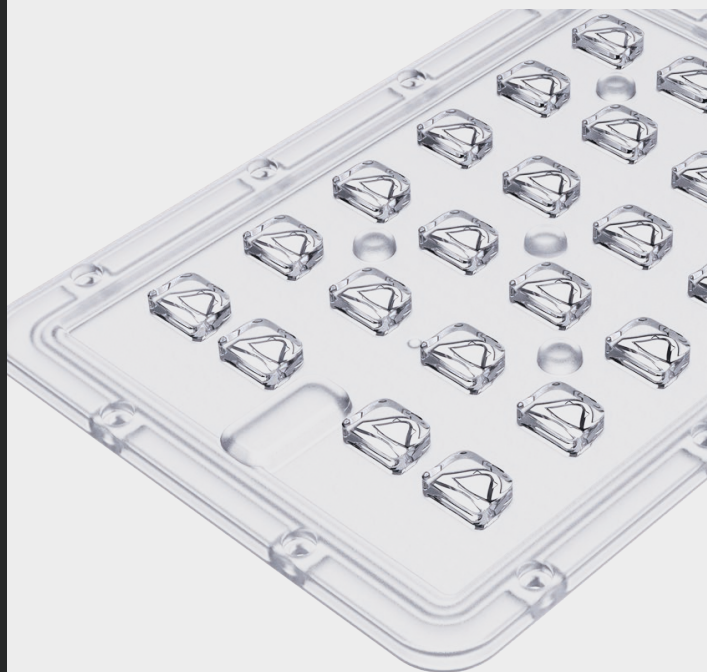


High Brightness LED

Up to 180lm/W high brightness LED efficiency providing excellence of energy saving performance with less power consumption.

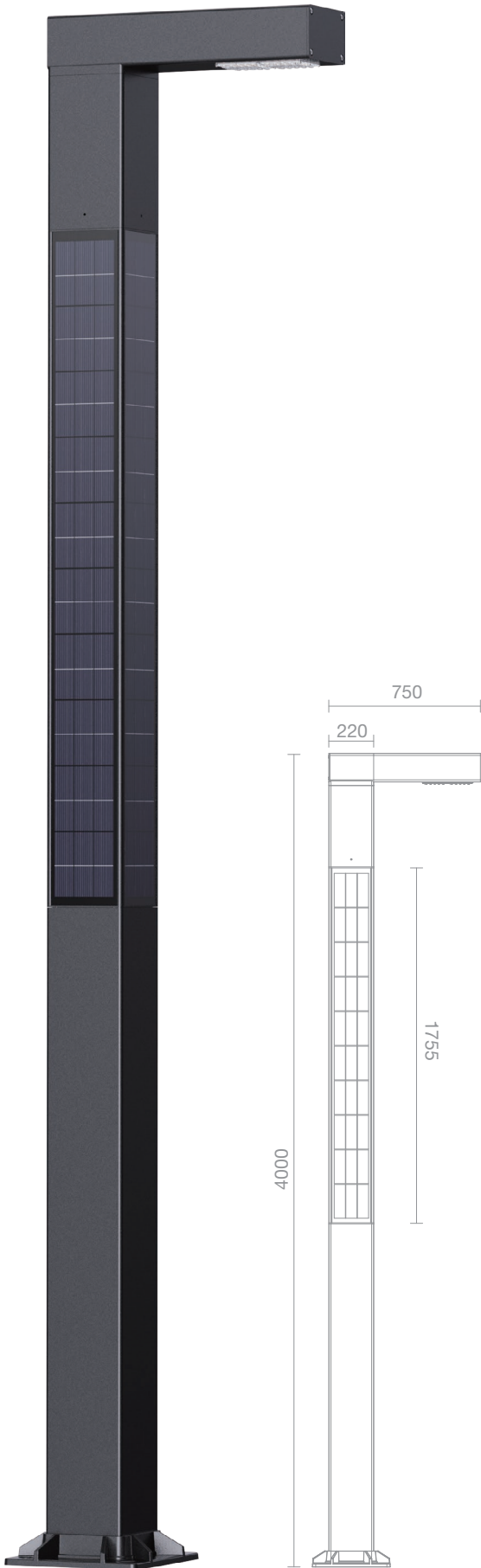
LiFePO4 Battery Module

The well-sealed IP66 lithium battery ensures the stable power supply to the solar system with 3 days backup and lifetime is more than 10 years.



LED Optics

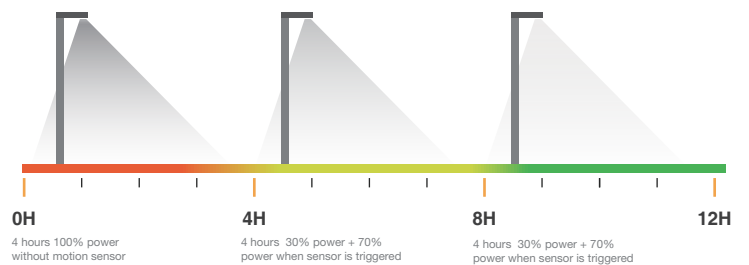
The advanced optical lenses is optimizing the distribution of light to provide more smooth lighting performance, improving the utilization rate of light energy, reduce energy consumption.



MAIN SPECIFICATIONS

Model Number	SkyBeam - SK-4M01
Luminous Flux	3,060lm
LED Power	15 Watts
LED Chip	LUMILEDS SMD5050 5W/LED 24Pcs
LED Lifetime	75,000H
CRI	>78
CCT Range	3000K ~ 6500K
Beam Angle	Type II / III / IV optional
LiFePO4 Battery	12.8V 30AH = 384WH
Battery Lifetime	4000 cycles @ D.O.D 60%
Solar Panel	180W 18V Mono
Solar Controller	Programmable MPPT
Motion Sensor	PIR / Microwave Optional
Dimension	750*220*4000mm
Operating Temp.	-20°C ~ +60°C
Operating humidity	10% ~ 90%
Fixture materials	Aluminium Die Casting
Fixture color	Black / Gray / Customized
IP Rating	IP65
Certificates	CE ROHS TM21 LM80...
Warranty	5 years

Default Lighting Profile



SkyBeam

SOLAR LIGHTING POLE
VERTICAL SERIES