

Avant Series Solar Bollards

360° Sunlight Auto-tracking



The Avant Series Solar Bollards come in 5 sizes: 3 different height bollards, a post mount light, and a wall mount light. The fittings feature IK 10 vandal resistance and IP66 ingress protection, making them the perfect choice for domestic and commercial projects. Control is via a built-in switch or through the Bluetooth Mesh & APP Control giving the user remote control timing, dimming and adjustable lighting scenes.

The Self-adaptive solar panel in the Avant Series Solar Bollard will automatically track the sun during the day, increasing the charging efficiency of the solar panel by up to 30%. As night approaches, the solar panel will lay flat, turn on at dusk, and turn off at dawn. 100% SOLAR POWERED.



FEATURES

IP66 Ingress protection

IK10 Vandal resistance

C4H Marine Grade Anti-corrosion

UV resistant PC

Bluetooth Mesh & APP Control - Create an advanced intelligent lighting environment.

Adjustable to 300lm

Colour temperature - 2700K

Variable time and settings to create custom lighting scenes.

ALS technology - to prolong the Autonomy >7 rainy days.

TCS technology - to protect against extreme temperatures.

NCM Energy Type - Lithium-ion battery. Greater than 2000 cycles.

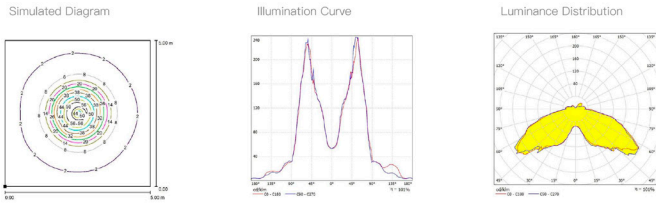
360° Sunlight Auto-tracking

Technical Data

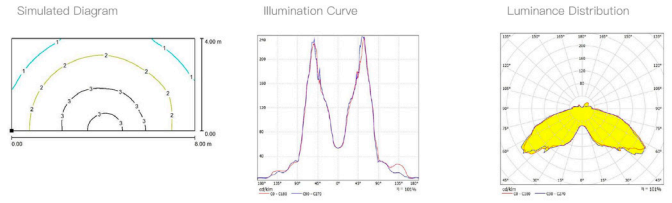
Item: AVANT (H)	ABL-01 (H)	ABL-02 (H)	ABL-03 (H)	ALL-01 (H)	AWM-01
Luminous Flux	300LM	300LM	300LM	300LM	300LM
Solar Panel					
Power	2.8W	2.8W	2.8W	2.8W	2.8W
Li-ion battery					
Capacity	3.7V 10AH	3.7V 10AH	3.7V 10AH	3.7V 10AH	3.7V 10AH
Charging/Discharging Temp	0~45°C / -20~60°C				
Charging Time	15H	15H	15H	15H	15H
LED (OSRAM)	2835 / 20pcs	2835 / 20pcs	2835 / 20pcs	2835 / 20pcs	2835 / 20pcs
Colour Temperature (CCCT)	2700K RA80	2700K RA80	2700K RA80	2700K RA80	2700K RA80
Luminous Efficiency	230lm/W	230lm/W	230lm/W	230lm/W	230lm/W
Performance					
Rainy Days Backup	> 10 Days				
Control Mode	Button Switch, ON/OFF Long Press 1.5s				
Lighting Mode	M1: 300LM 5hrs + 100LM Till dawn / M2: 200LM Till dawn / M3: 100LM Till dawn				
Mode Indication	M1: red light, M2: green light, M3: orange light (press the button to switch between M1 (red) / M2 (green) / M3 (orange); after 5 seconds the indication mode turns to power mode.				
Capacity Indication	Green: ≥70%; Orange: 30%~70%; Red: <30%				
Networking Type	Bluetooth mesh				
PIR	-				
Core technology	ALS 2.5 / TCS 3.0				
Solar Panel Autoclean	-				
IP/IK Class / Anti-corrosion	IP66 / IK10 / C4H				
Install Height / Distance	- / 10m	- / 10m	- / 15m	2.5m / 15m	3m / 15m
Lighting Area	5m	5m	8m	8m	8m

Optical Figures

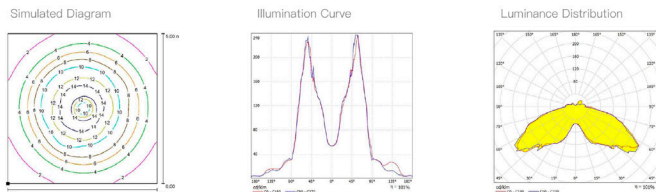
ABL-01 (H)



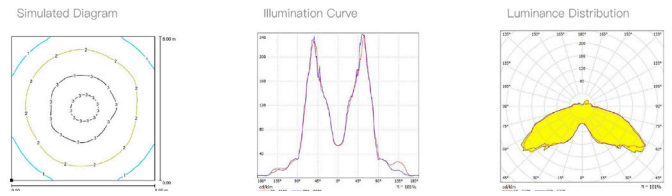
AWM-01 (H)



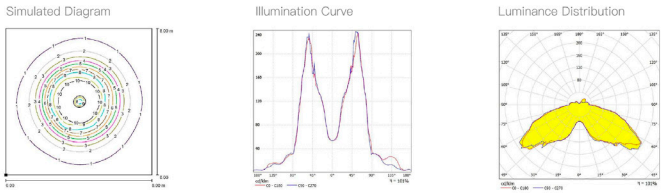
ABL-02 (H)



ALL-01 (H)

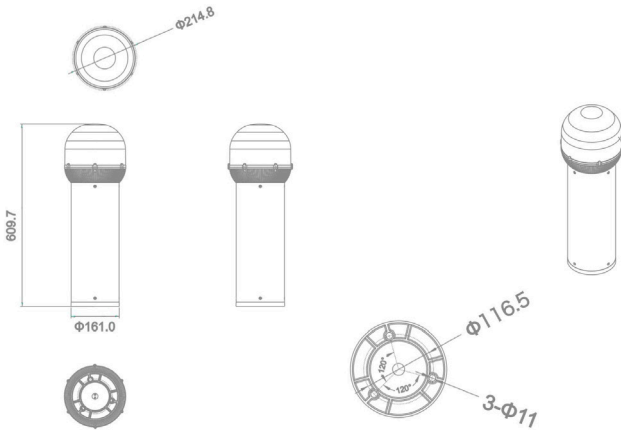


ABL-03 (H)

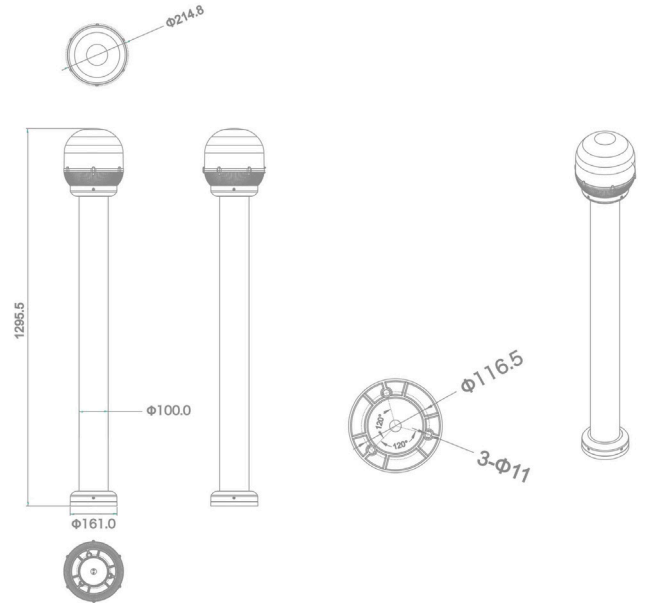


Dimensions

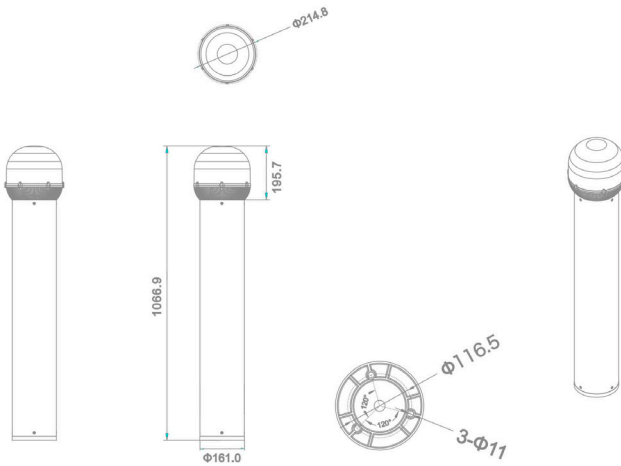
ABL-01 (H)



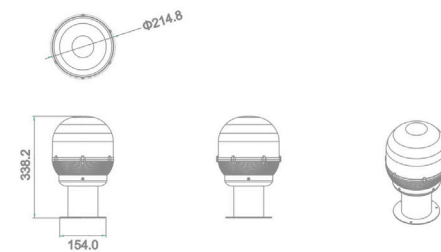
ABL-03 (H)



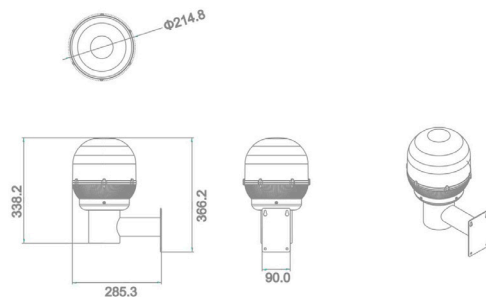
ABL-02 (H)



ALL-01 (H)



AWM-01 (H)



Size Comparison



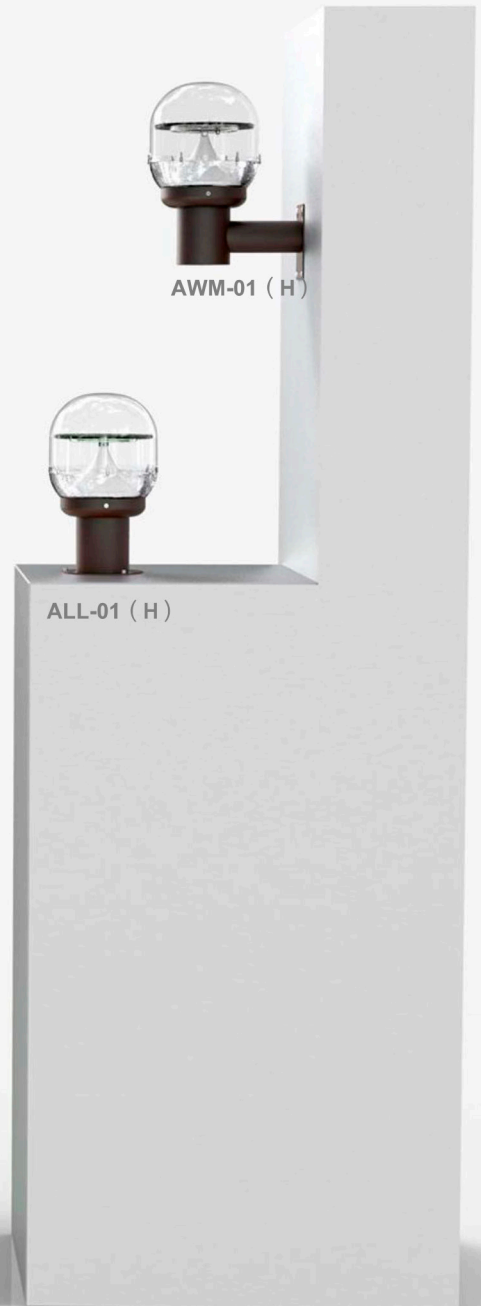
ABL-01 (H)



ABL-02 (H)



ABL-03 (H)



ALL-01 (H)

AWM-01 (H)