



Our range of solar bollards are used in various applications; for safety and security lighting, to ensure compliance with the Australian Standard P4 lighting code for walkways and paths, or to simply provide ambient lighting in gardens. The modern design and robust construction of the Taurus solar bollard makes it ideal for use in architectural and commercial low-level pathway projects. The light source is from 12 4000k high intensity LEDs, giving the fixture approx 200lm output. The 9v, 2.5w solar panel and 6.4v /4.5mah inbuilt lithium battery, combine to enable the bollard to illuminate for 10-12 hours each night. This bollard comes in a black or grey powdercoat finish. The bollard is suitable for bolt down installation

FEATURES

Commercial grade solar lighting

Requires 10 - 12 hrs charge prior to use

10 - 12 hours light output per night

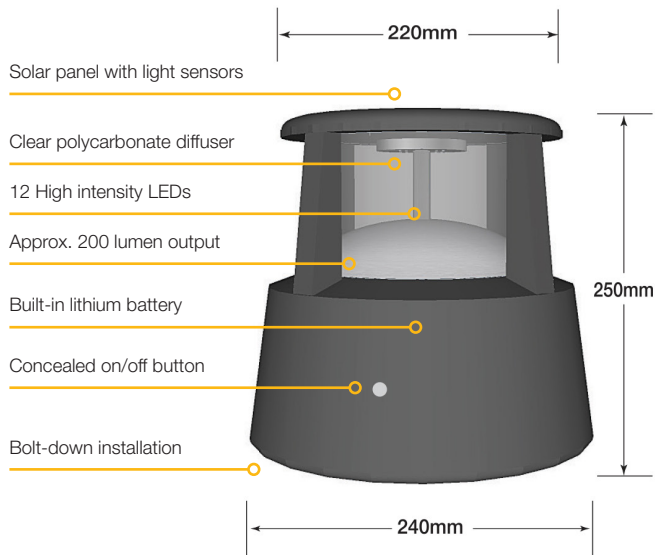
High quality inbuilt lithium battery

Attractive modern design

Ideal for illuminating paths and walkways

Automatic light sensor turns LEDs on and off for dusk to dawn operation

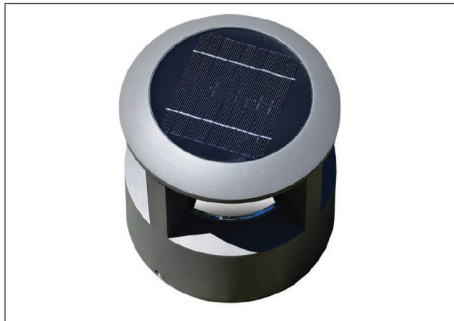
Warranty: 3 year warranty for faulty workmanship or component failure not influenced by external means



3 x concealed fixing points



Solar panel including light sensor



Specifications

Colour	Powdercoat black or grey
Charge Time	4 - 6 hours
CCT	4000K (cool white)
Bollard Size	250H x 240Wmm (base)
Brightness	Approx. 200 lumen output
Solar Panel	9V 2.5watts
Solar Panel Size	130H x 110Wmm
Light Source	12 high intensity LEDs
Battery	6.4V/4.5mah inbuilt lithium battery
Material	Aluminium, polycarbonate diffuser
SKU	SOLB005