



Our range of solar bollards are used in various applications; for safety and security lighting, to ensure compliance with the Australian Standard P4 lighting code for walkways and paths, or to simply provide ambient lighting in gardens. The attractive modern design and robust construction of the Sirius solar range makes it ideal for use architectural and commercial pathway and area projects. The light source is from 36 4000k high intensity LEDs, giving the fixture approx 300lm output. The 9v ,4w solar panel and 7.4v /4400mah inbuilt lithium battery, combine to enable each fixture to illuminate for 10-12 hours each night. This Sirius range is available in 304 stainless steel and a matt black powdercoat finish. The range includes bollards at 800mm and 380mm tall, a 380mm tall wall light and a post top fixture with twin lights standing at 2200mm. The fixtures are suitable for bolt down installation.

FEATURES

Commercial grade solar lighting

Requires 10-12 hrs charge prior to use

10 - 12 hours light output per night

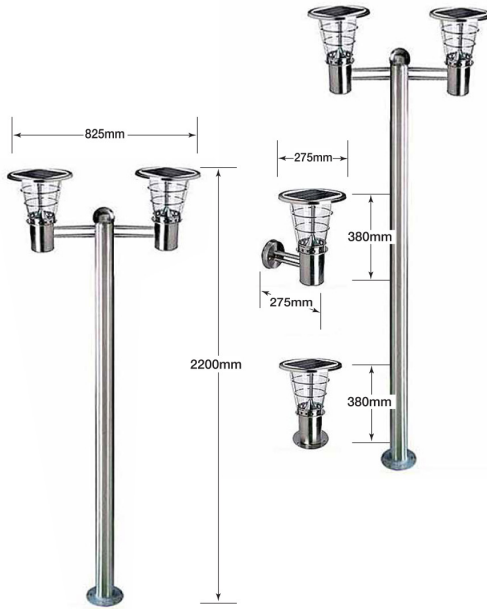
High quality inbuilt lithium battery

Attractive modern design

Ideal for illuminating paths and walkways

Automatic light sensor turns LEDs on and off for dusk to dawn operation

Warranty: 3 year warranty for faulty workmanship or component failure not influenced by external means



SOLD INDIVIDUALLY



Specifications

Finish	Polished 304 grade stainless steel
Solar Panel	9V 4watts
Charge Time	4-6 hours
Solar Panel Size	145H x 155Wmm
CCT	4000K (cool white)
Light Source	36 high intensity LEDs
Size	800, 380, 380, 2200mm
Battery	7.4V/4400mah inbuilt lithium battery
Brightness	Approx. 300 lumen output
Material	Stainless steel, polycarbonate diffuser
SKU - Pole	SOLPOLE0012SS
SKU - Wall	SOLWALL0012SS
SKU - Pillar	SOLPILL012SS
SKU - Bollard	SOLB012SS