

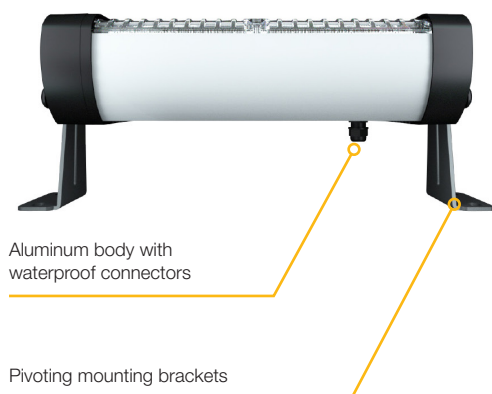
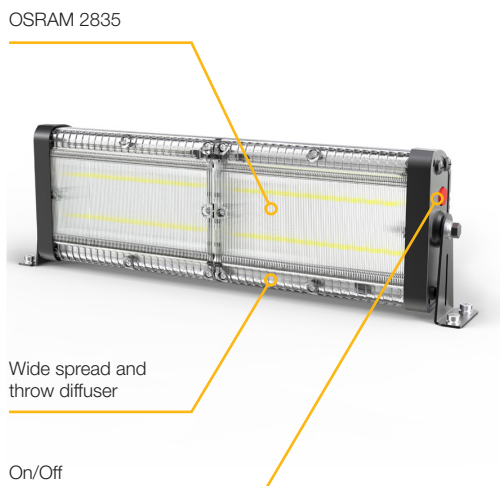
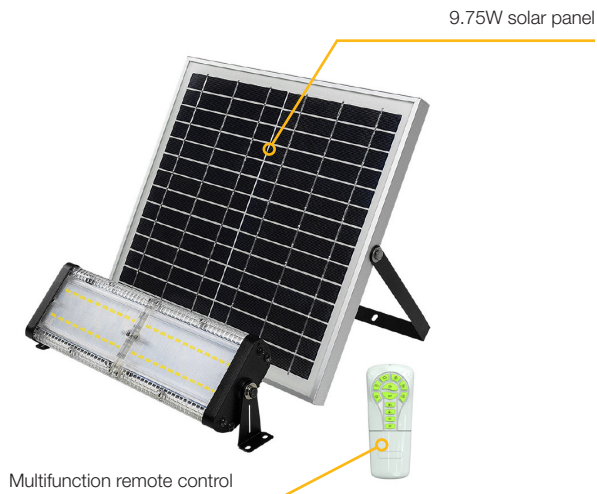


The flood light's wide diffuser is purpose designed to spread and throw the light illuminating large areas effectively. This model does not use a P.I.R (passive infrared sensor) ensuring constant illumination of the area. The supplied remote controls on/off, dimmer, and timer functions offering the ability to program the light to specific site conditions. Solar panel and light head mounting hardware included allowing the panel to be installed up to 3800mm from the light head. The unique design and programming of this light allows it to be operated during the day for lighting farm sheds, garden sheds or any enclosed areas that require lighting during the day.

Luminaire Height	4-5m
Lumen Output	4000 lm
LED Output	40W

FEATURES

- Adjustable lamp and panel brackets
- Purpose designed wide and a forward throw diffuser
- Illuminate large areas effectively
- High quality inbuilt lithium battery
- Constant lighting (no P.I.R)
- Remote controls ON/OFF, dimmer, and timer functions
- Surface or post mountable
- Custom bracketing or powder coated poles available on request
- Light will operate during daylight hours to illuminate large enclosed areas
- 3800mm panel to light head cable
- 1 year warranty for faulty workmanship or component failure not influenced by external means



Applications

Constant large area lighting - Indoor or outdoor use

Technical Data

Solar Panel Wattage	9.75W
LED Output	40W
Lumen Output	4000 lm
Battery Type	Lithium-ion
Battery Specifications	11.1V 4AH (44.4Wh)
Autonomy	> 5 Nights, setting dependent
Correlated Colour Temp (CCT)	6000K
Fixture Size	189 (l) x 103 (w) x 79 (h) mm
Light Source	OSRAM 2835
Recharge	6 hours
Mounting Height	4 - 5 metres
Mounting	Wall or post
Finish	Moulded polycarbonate
Warranty Period	1 years
SKU	SOLL011/40

Mode of Operation

Constant output lighting, no P.I.R (passive infrared sensor). Remote control over ON/OFF, dimmer, timer and day or night operation.