



## OL2A Solar Safety Light

The OL2A is a solar safety light ideal for marking railroad blue safety flags, barricades, obstacles and other hazards in mining, obstruction and construction zones. This compact, self-contained marking solution provides premium reliability and excellent value for use in hard-to-access locations.

### Advances Optics

- Up to 29 candela intensity
- 40 user-adjustable flash patterns with ability to directly enter intensity
- Available in red, white, green, yellow and blue

### Easy Installation

- Installs in minutes—"out-of-box" operation
- Flange-mount and pole-mount options
- Automatic dusk-to-dawn operation
- Optional on/off switch
- Optional mini Infrared Programmer

### Low Maintenance

- Replaceable and recyclable AA NiMH batteries
- Automatic Light Control (ALC) regulates intensities based on 5-day data trends for longer battery life and optimal performance

### Reliable

- Premium-grade, UV-resistant polycarbonate body and lens material
- Waterproof; IP 68 immersion
- Ventilated battery compartment
- Life expectancy over 15 years; 3-year warranty

### Trusted

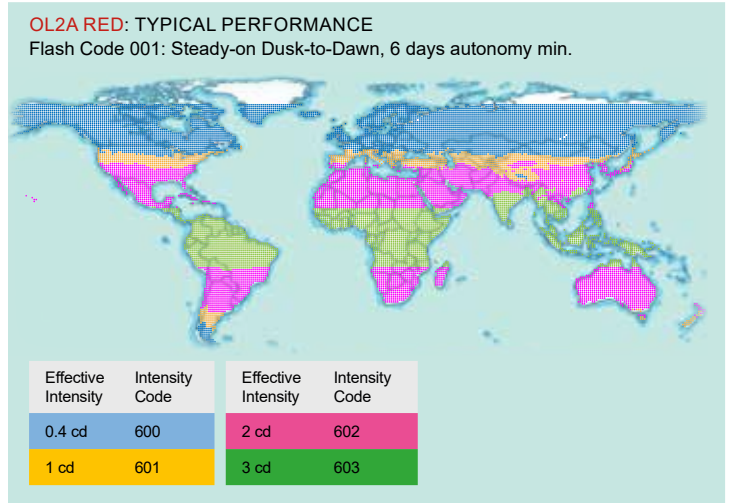
With thousands of installations worldwide, Flash Technology solar LED lights operate year-round at permanent and temporary installations.



# OL2A

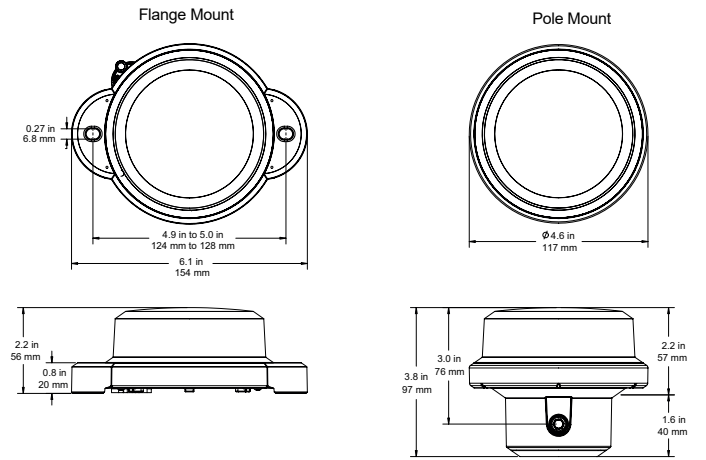
SPECIFICATIONS	
Optical	29 cd peak intensity; see table
	High-powered LED
	Red, green, white, yellow and blue color outputs
	Proprietary optical design
	40 flash patterns
Solar Panel	Best-in-class high-efficiency solar cells 0.6 W
Battery	3 high-temperature NiMH AA batteries rated for -40 to 185 °F (-40 to 85 °C)
	5-year battery life; Replaceable and recyclable
Energy Management System (EMS)	Intelligent, microprocessor EMS
Automatic Light Control (ALC) 2.0	When enabled, automatically adjusts to low levels of sunlight to ensure continuous operation
Programming	Programmable with optional IR programmer
Construction	Premium-grade, UV-resistant, polycarbonate body and lens
	Waterproof battery compartment with Gore® vent
	Color indicator matches LED color
Temperature	-22 to 122 °F (-30 to 50 °C) optimal
	-40 to 176 °F (-40 to 80 °C) maximum
Weight	Flange mount: 0.8 lbs (0.4 kg) Pole mount: 0.9 lbs (0.4 kg)
Mounting	Flange or pole-mount options
Wind Loading	161 mph (72 m/s)
Ice Loading	0.03 psi (22 kg/m <sup>2</sup> )
Shock & Vibration	MIL-STD-202G
Ingress	EN 60529 IP 68 immersion, 24 hrs at 3' (1 m) MIL-STD-202G immersion & damp heat cycling MIL-STD-810G rain & salt fog
Compliance	RoHS, WEE
	FCC, CE

PEAK INTENSITY*	
Color	Intensity
Red	18 cd
Green	23 cd
White	29 cd
Yellow	25 cd
Blue	8 cd



ORDER KEY		
Model	Output	Mount
OL2A	Red	Flange mount Flange mount with switch Pole mount
	Green	
	White	
	Yellow	
	Blue	

## DIMENSIONS



With sleeve: 1.9" (48 mm) pole ID  
Without sleeve: 2.4" (61 mm) pole ID  
Over-top mount: 2.8" (71 mm) pole OD



\*Peak intensity dependent on location and flash pattern.

# FLASH TECHNOLOGY

flashsales@spx.com | flashtechology.com/obstruction | 1.615.503.2000

©2019 Flash Technology. All rights reserved. Data and specifications subject to change without notification. ISO 9001:2015. DOL2A-01 Rev A