

TOTEM

Datasheet

| | | | |
|------|-----------|------|----|
| IP65 | IK07 (PV) | IK08 | CE |
|------|-----------|------|----|

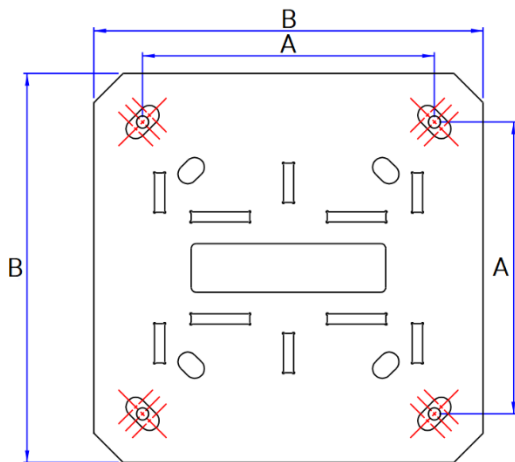
| | | |
|-------------|---------------------------------------|---|
| LIGHTING | LED module | High efficiency LED light engine - Multichip Technology (IP 67) |
| | Luminous flux | 3200 lumens |
| | Color temperature options | 5700 K |
| | Lifespan | 50 000 hours |
| | Certificates | EN 13032-1; EN 13032-2; EN 13201; EN 60598-1; EN 62471 |
| SOLAR PANEL | Technology | Photovoltaic module (Crystalline silicon) |
| | Power | 150 Wp (6*25 Wp) to 200 Wp (8*25 Wp) |
| | Electrical specifications (per panel) | V _{OC} : 17,12 V V _{MPP} : 14,8 V I _{SC} : 1,91 A I _{MPP} : 1,83 A 24 cells |
| | Panel dimensions | 1000 x 208 mm |
| | Lifespan | 25 years |
| | Inclination | Vertical |
| | Structure | Unframed |
| | Certificates | IEC 61215; IEC 61730 I et II |
| BATTERY | Battery technology | NiMH battery, maintenance free, very high temperature resistance |
| | Voltage | 24 V |
| | Capacity | 240 Wh |
| | Operating temperature range | -40°C to +70°C |
| | Lifespan | 12 years |
| | Certificates | EN 62133 |
| ELECTRONICS | Technology | SunnaCore [®] |
| | Communication | Bluetooth |
| | Input voltage | 24V |
| | Max. PV open circuit voltage | 45V |
| | Max. charge/discharge current | 5A |
| | Wiring | Marine-grade wiring used for all applications |
| | Electrical protection | Electronic fuse |
| | Lifespan | 12 years |
| | Water resistance | IP65 with sealed plugs |
| | Operating temperature range | -20°C to +70°C |
| | Certificates | CE; EN61000; EN61547; EN55015; EN62493; EN 62479 EN300328; EN 301489-1 |
| GENERAL | Material | Aluminum and Stainless steel |
| | Dimensions | 90 x 250 x 5000 mm |
| | Standard | IK07, EN40 |
| | Weight | 130 kg |
| | Version | One side lighting |



TOTEM

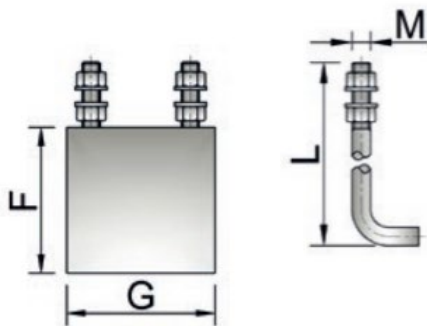
Foundation specifications

FLANGE:

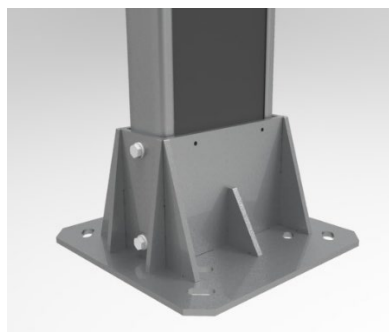


| SPECIFICATIONS | |
|----------------|--------|
| POLE HEIGHT | 5 m |
| Pitch A | 300 mm |
| Width B | 400 mm |

FOUNDATION BLOCK (Recommendation only):



| SPECIFICATIONS | |
|------------------|-----------------------|
| POLE HEIGHT | 5 m |
| Concrete density | 350 kg/m ³ |
| Width G | 700 mm |
| Height F | 890 mm |
| Diameter M | M16 |
| Width L | 300 mm |



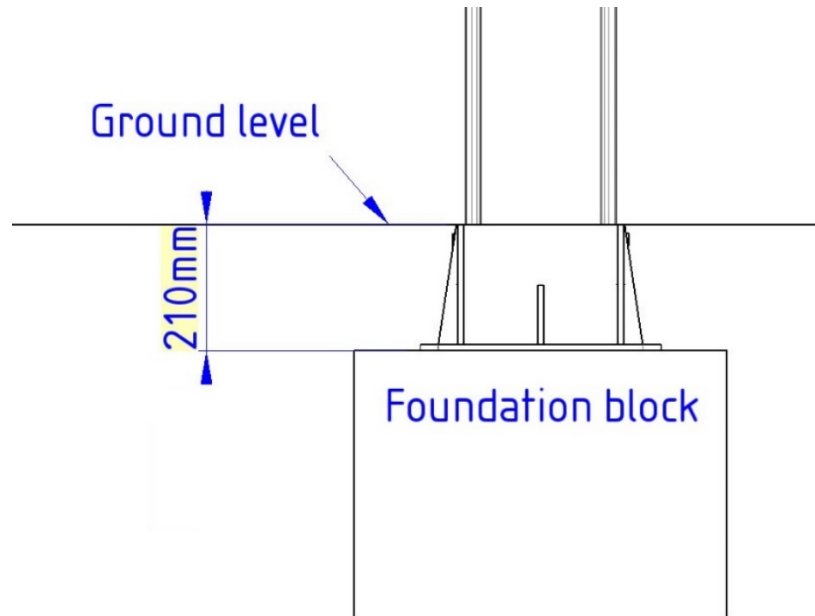
Above foundation specifications are indicative. Sunna Design strongly suggests to request a study based on local standards and soil typology. Sunna Design does not take responsibility if pole foundations are not made according to local standards and law.

The pictures contained in this document are for guidance only.

TOTEM

Installation versions :

BURIED FLANGE:



METAL COVER (optional):



Metal cover finish sold separately.