

**SOLAR LED INTEGRATED ARCHITECTURAL AREA LIGHT**

Project: \_\_\_\_\_

Type: \_\_\_\_\_ Quantity: \_\_\_\_\_



The IPL series solar LED luminaire is an ideal choice for architectural, commercial, recreational pathway and public space lighting applications. The self-contained, contemporary, rectilinear design smartly embraces modern solar power, adaptive control and LED technologies. With robust construction and unequalled performance, the IPL series is an excellent fit wherever high-quality, full-cutoff lighting and minimal visual clutter is required.

Using solar power and LEDs, the IPL is completely self-contained and offers significant benefits over grid-based lights including:

- Cost-effective design that ships fully assembled and installs in minutes
- Wireless control & communication with your light
- Low installation cost and minimal site impact with no trenching, cabling or wiring
- Minimal ongoing costs with no electrical bills or bulbs to change
- Operates entirely independent from the grid and is immune to power outages
- A sustainable choice without recurring carbon emissions

All of our solar powered lights are enabled by our innovative Solar Lighting Controller (SLC). The SLC in each light is “self-learning” and allows the lights to predictively adapt to their surroundings, providing a level of lighting performance and reliability unavailable in other solar lighting products.

**TECHNICAL SPECIFICATIONS**

- Solar Module:**
- High-efficiency monocrystalline cells
  - Inconspicuously integrated into the top of luminaire
  - Used for day/night detection (no photocell required)

- Solar Lighting Controller (SLC):**
- High-efficiency Maximum Power Point Tracking (MPPT)
  - Micro-controller based technology
  - Includes high-efficiency LED driver
  - Multiyear data logging
  - Integrated into luminaire housing
  - Designed to automatically manage lighting performance based on environmental conditions and lighting requirements
  - Potted weatherproof construction

- Battery:**
- High-performance lithium (LiFePO<sub>4</sub>)
  - Exceptional 8 – 10 year lifecycle
  - High-temperature tolerance
  - Contained within luminaire housing
  - Designed for easy battery changes when required

- LEDs and Optics:**
- 100,000 hour L70 lifetime
  - Warm (3000K) and neutral (4000K) white color temperatures available
  - High-efficiency type 2, 3, 4 and 5, full cut-off optics
  - Typical lumen output from 814 to 1130 lumens

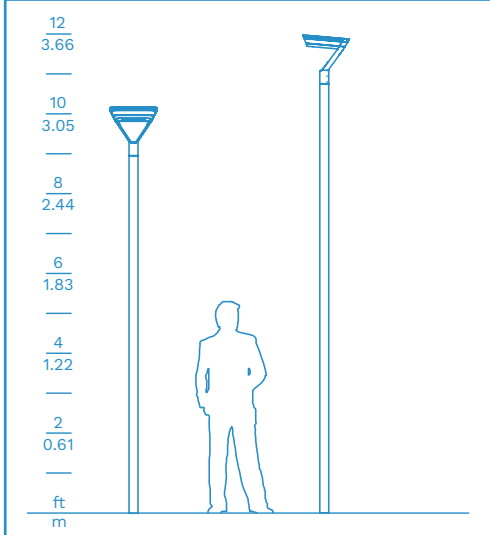
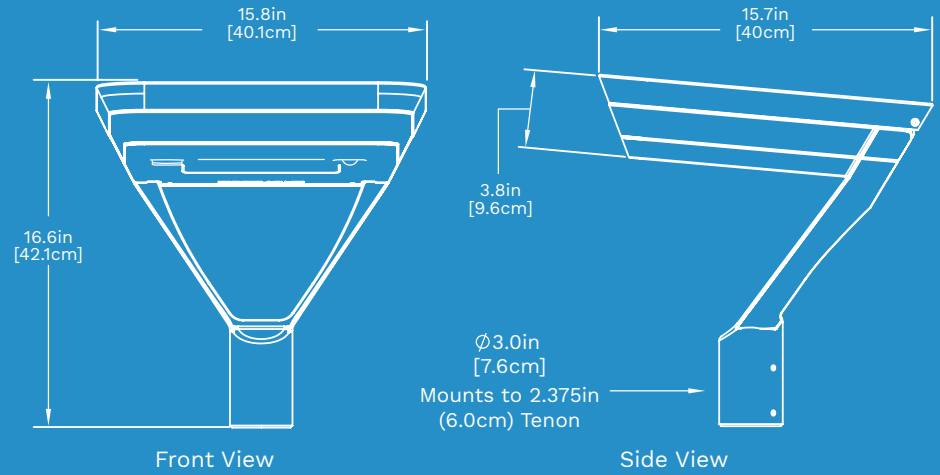
- Mechanical Construction:**
- Cast, low copper aluminum design
  - Stainless fasteners with security fastener option
  - Architectural grade, super-durable, TGIC powder coat
  - Four standard colors with custom colors available

- Lighting Profiles:**
- 11 standard profiles options
  - Real-time based lighting profiles available
  - See lighting profile sheet for all options
  - Motion sensing capabilities optimize performance based usage
  - Lighting profiles and motion sensing options are field configurable with app

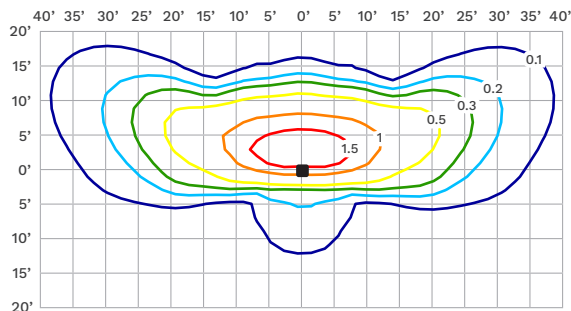
- Wireless Controls:**
- Bluetooth low energy interface with iOS app
  - Provide configuration and control of lighting profiles
  - Adjustment over dusk and dawn thresholds

## SOLAR LED INTEGRATED ARCHITECTURAL AREA LIGHT

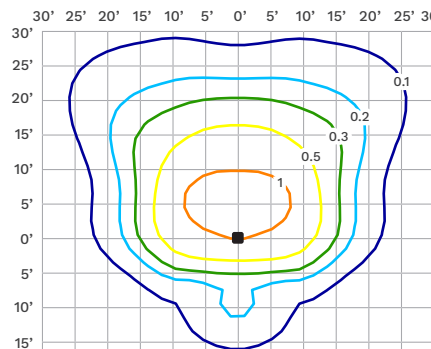
EPA: 0.65ft<sup>2</sup> (0.06m<sup>2</sup>) | Weight: 24.7 lbs (11.2 kg) including battery



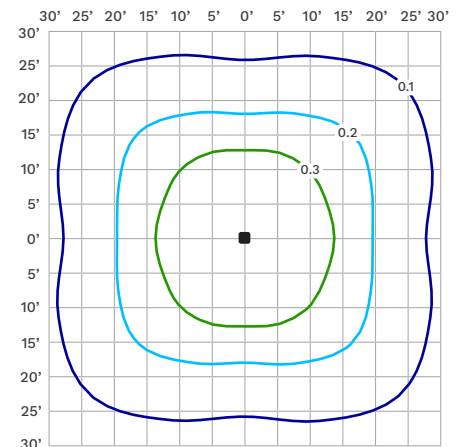
## PHOTOMETRICS (IES files available on website)



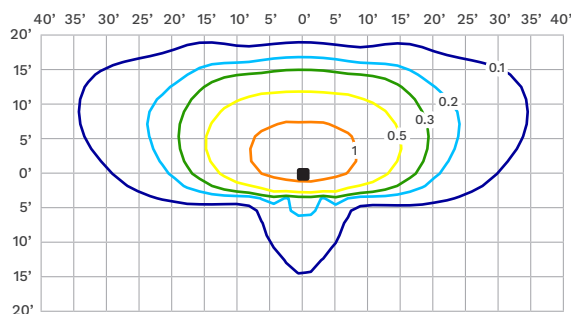
Type 2



Type 4



Type 5



Type 3

## ORDER MATRIX

Series	Mounting	Finish	Distribution	LED Color	Lighting Profile (Full list on website)	Options
IPL	PTM - Post Top Mount	BK - Black	T2 - Type 2	WW - 3000K	00 - Dusk till dawn	SEC - Security Fasteners
		BZ - Bronze	T3 - Type 3	NW - 4000K	09 - On at dusk, 100% for 3 hours, dim to 30%, brighten to 100% one hour before dawn, off at dawn (DEFAULT)	MSO - Motion Sensor Off
		SV - Silver	T4 - Type 4		TX0000 - On at dusk until time between 1800 & 0600. X = O (Off) or D (Dim). 0000 = time to dim or turn off.	
		WH - White	T5 - Type 5			
		CC - Custom				

Notes: - Photometrics based on 12 ft mounting height  
 - All light levels in foot candles (fc) with 4500K color temperature and 968 lumen output  
 - To convert to lux multiply light level by 10.7  
 - Motion sensing is ON by default  
 - Specifications subject to change without notice

