

Technical Support:

Email: customerservice@flashtechnology.com

Toll Free: 1.800.821.5825

Fax: 1.615.261.2600

Web: flashtechnology.com/airfield

72936_A704_UserManual_RevF

Contents

1.0	Safety & Usage	3
1.1	Viewing Precautions	3
1.2	Battery Precautions	3
1.3	Wireless Precautions	4
1.4	Regulatory	4
1.5	Warranty Disclaimer	5
2.0	Introduction	5
2.1	Features	5
2.2	Applications	5
3.0	Installation	6
3.1	Antenna	7
3.2	Location	8
3.3	Orientation	8
3.4	Dimensions & Mounting	9
4.0	Operation	10
4.1	Theory of Operation.....	10
4.2	User Interface	10
4.3	Modes	13
4.4	Features	17
5.0	Maintenance	21
5.1	Inspection	21
5.2	Storage & Battery Charging	21
5.3	Battery Replacement	22
5.4	Recycling	25
5.5	A704 Head Replacement on A704-5 Chassis.....	25
6.0	Troubleshooting	29
7.0	Warranty	30

1.0 Safety & Usage

The following symbols indicate important safety warnings and precautions throughout this manual:



WARNING indicates that serious bodily harm or death may result from failure to adhere to the precautions.



CAUTION indicates that damage to equipment may result if the instructions are not followed.



NOTE suggests optimal conditions and provides additional information.



WIRELESS features and functions that require a Handheld Controller.



PUSH BUTTON features and functions that require interaction with the push button on the light.

1.1 Viewing Precautions



Do not view an actively emitting infrared or visible light from the side or top of the light (close to or on beam) from a range of less than 4 ft. (1.2 m).

A safe limit for near-infrared viewing, established by the American Conference of Governmental and Industrial Hygienists (ACGIH), is 65 mW/in^2 (10 mW/cm^2) as the maximum exposure limit for viewing for up to 16 minutes. This power density can be produced at the lens surface when actively emitting infrared light.

1.2 Battery Precautions



The lantern's Battery Pack contains lead, lead compounds, and other compounds known to the State of California to cause cancer and reproductive harm. Please handle with care and wash your hands thoroughly after handling the Battery Pack.



Use extreme caution when handling the light. This product is capable of generating enormous short-circuit currents. Remove all jewelry (bracelets, metal-strap watches, rings) before attempting to handle or remove the batteries.



Charge your battery periodically. Permanent damage and reduced capacity will result if the battery is not correctly maintained.

The rate of battery self-discharge is very dependent upon temperature. The warmer the temperature, the faster the batteries will discharge.

Lights that have been stored will usually require a top-up charge before they are put into service. The most accurate battery health status reading is obtained when the unit has been in a dark location and in off mode for at least 24 hours.

1.3 Wireless Precautions



Keep the Handheld Controller at a distance of at least 3 ft. (1 m) from the antennas of lights or other handheld controllers. It transmits a powerful radio signal that could damage sensitive receiver circuitry if operated at close range.

1.4 Regulatory

This device complies with Part 15 of the FCC Rules. Operation is subject to the following two conditions:

1. This device may not cause harmful interference, and
2. This device must accept any interference received, including interference that may cause undesired operation.

This equipment has been tested and found to comply with the limits for a Class B digital device, pursuant to Part 15 of the FCC Rules. These limits are designed to provide reasonable protection against harmful interference in a residential installation. This equipment generates, uses and can radiate radio frequency energy and, if not installed and used in accordance with the instruction manual, may cause harmful interference to radio communications; however, there is no guarantee that interference will not occur in a particular installation. If this equipment does cause harmful interference to radio or television reception, which can be determined by turning the equipment off or on, the user is encouraged to try to correct the interference by one or more of the following measures:

- Reorient or relocate the receiving antenna;
- Increase the separation between the equipment and receiver;
- Connect the equipment into an outlet on a circuit different from that to which the receiver is connected;
- Consult the dealer or an experienced radio/TV technician for help.

This Class [B] digital apparatus complies with Canadian ICES-003.

Cet appareil numérique de la classe [B] est conforme à la norme NMB-003 du Canada.

1.5 Warranty Disclaimer



This manual will familiarize you with the features and operating standards of the product. Failure to comply with the use, storage, maintenance or installation instructions detailed in this manual could void the user warranty.

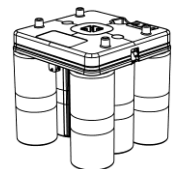
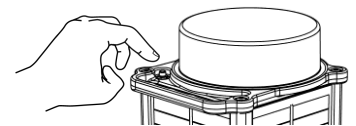
Changes or modifications not expressly approved by the party responsible for compliance could void the user's authority to operate the equipment. Installation work must be done by a qualified person(s) in accordance with all application local codes and standards.

2.0 Introduction

2.1 Features

The A704 Solar Airfield Light has the following features:

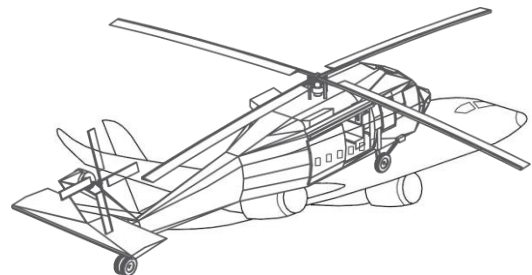
- Self-contained, high-performance, solar-powered light source
- Optional 900 MHz ISM wireless control with 2.5 miles (4 km) range with available Handheld Controller
- Easy-to-install and low-maintenance with long-life light emitting diodes (LEDs)
- Available in red, green, yellow, white, blue omnidirectional and white/white, red/green, yellow/white and bidirectional visible LED output colors
- Indicator LEDs and push button user interface
- Intelligent Energy Management System (EMS)
- Visible LED and night vision goggle (NVG)-compatible infrared (IR) LED outputs
- Aviation yellow or olive drab chassis
- Optional external connector provides long-term, high power operation and battery charging
- Replaceable battery packs



2.2 Applications

The A704 has the following applications:

- Runway edge (omnidirectional MIRL & directional HIRL)
- Runway threshold
- Emergency or temporary airfield
- Construction barricade
- Obstruction





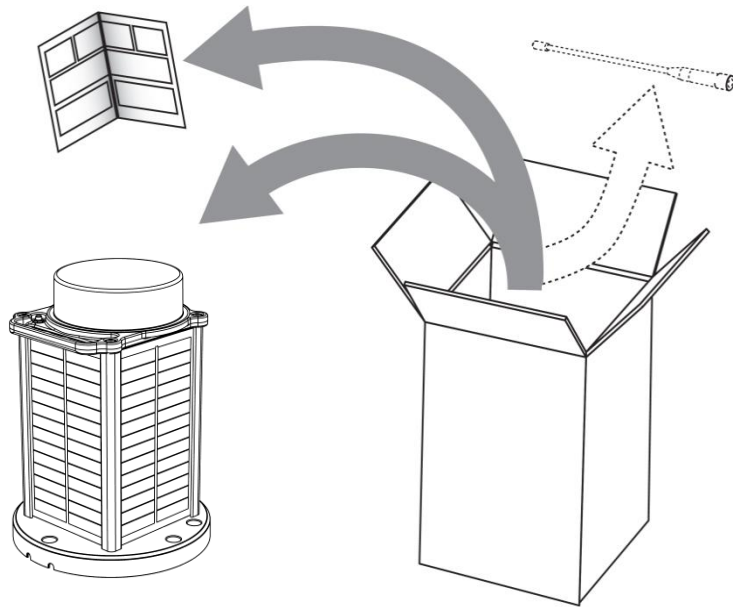
The A704-VL has the following applications:

- Taxiway & apron edge
- Helipad
- Emergency or temporary helipad

3.0 Installation

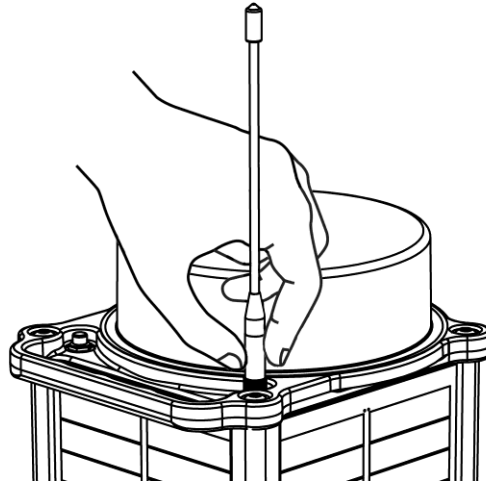
Each shipment includes:

- A704 or A704-VL
- Manual
- Antenna (wireless models only)



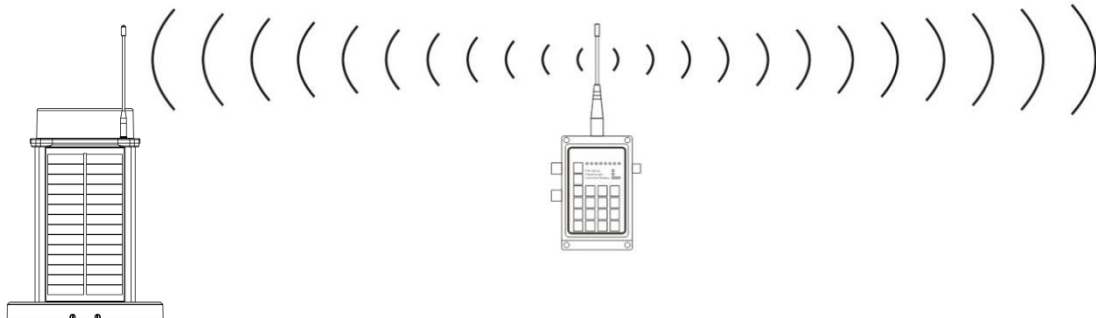
3.1 Antenna

An antenna is included with each light ordered with optional wireless control. Grip the antenna by its metal base and hand-tighten it onto the antenna connector.



The effective range of the wireless control system is 2.5 miles (4 km). Wireless range is greatly affected by use and location. To achieve the best wireless range:

- Handheld Controller antenna is parallel to the light's antenna



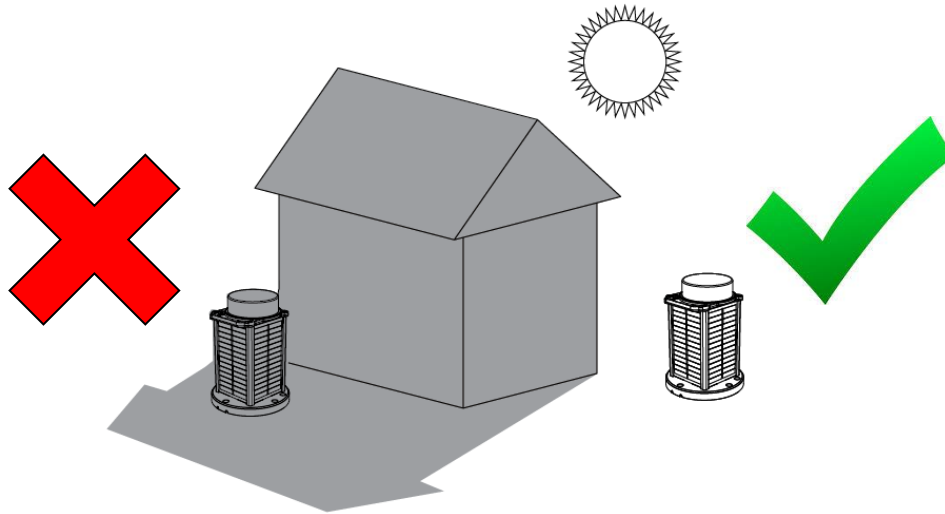
- Elevate the Handheld Controller's antenna
- Ensure surrounding grass and foliage is trimmed
- Clear line-of-sight between antennas

3.2 Location



Year-round, unrestricted solar exposure is critical to long-term performance. Shade dramatically reduces the ability of the light to charge its battery.

Year-round sun: During the winter, the sun is lower on the horizon. Because the angle of the sun changes with the seasons, be aware that obstructions such as trees, buildings and mountains that do not shade the solar panel during the summer may shade it during the winter.

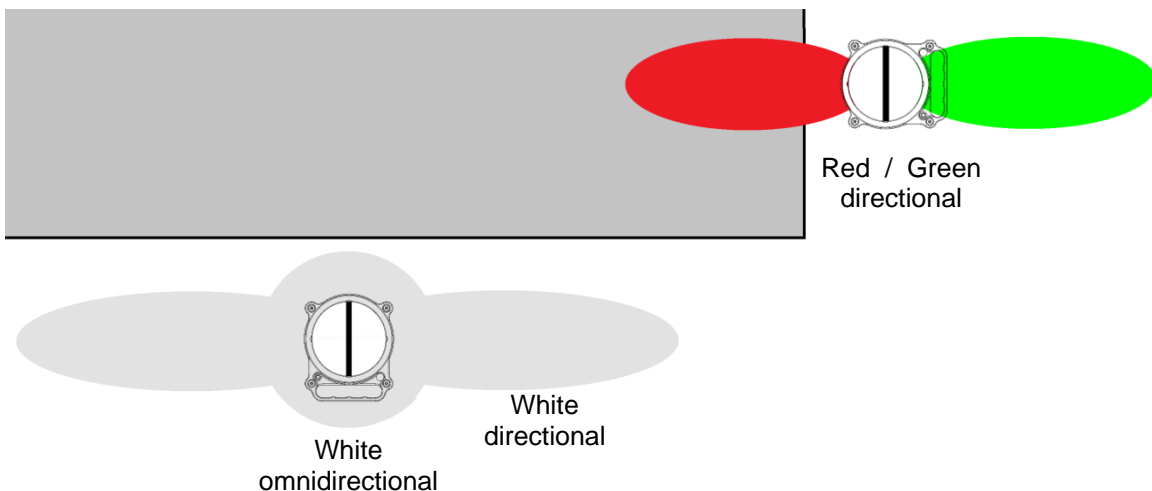


Cooler is better: The battery lasts longest if you can minimize its exposure to high temperatures. Choose a location that is away from hot, dark colored surfaces like asphalt or black steel plate. Mounting kits are available that elevate the light and can help reduce the temperature of the battery.

Flat: Ensure the mounting surface is flat and level.

3.3 Orientation

The handle can be used to orient the light relative to the runway. This is useful for directional and bidirectional lights:

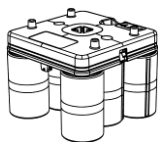
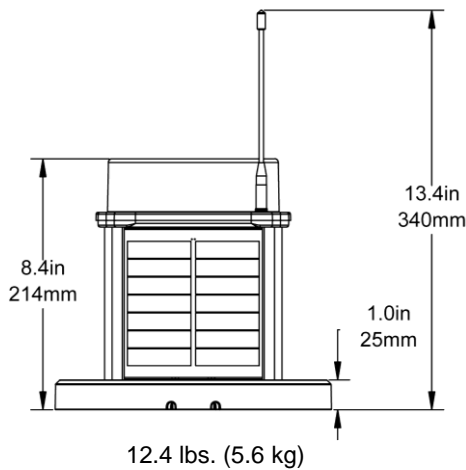


3.4 Dimensions & Mounting

The A704 has a common head and base. The solar engine varies depending on the application.

Compact Solar Engine

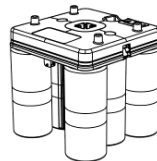
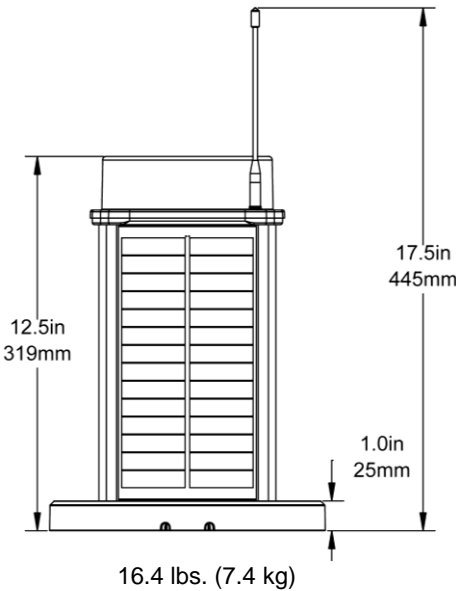
(Optional wireless antenna shown)
Optimal for high solar or low use applications



4.2 vdc 15 Ahr. battery = 63 Whr. total
4x 1.7 W Solar Panels = 6.8 W total

Standard Solar Engine

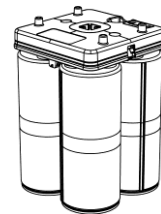
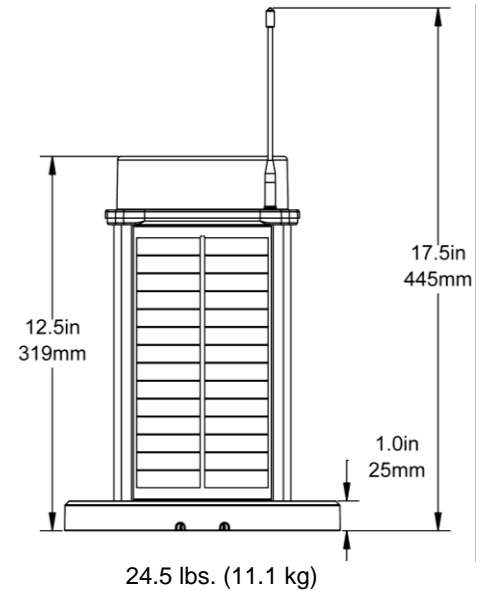
(Optional wireless antenna shown)
Optimal for most applications



4.2 vdc 24 Ahr. battery = 101 Whr. total
4x 3.8 W Solar Panels = 15.2 W total

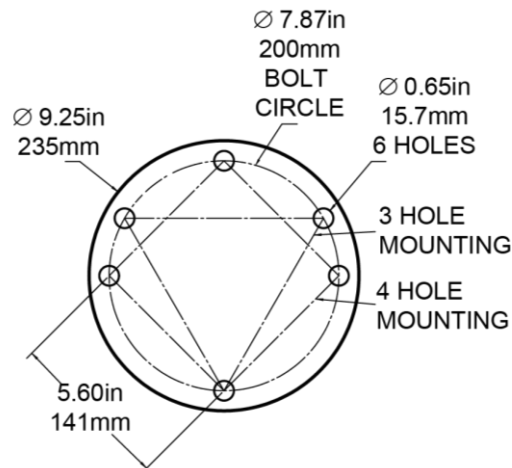
Large Solar Engine

(Optional wireless antenna shown)
Optimal for low solar or high use applications



4.2 vdc 50 Ahr. battery = 210 Whr. total
4x 3.8 W Solar Panels = 15.2 W total

Mount using 0.5 in. (12 mm) fasteners. Fasteners are not included but are available as kits.



4.0 Operation

4.1 Theory of Operation

During daylight, the solar panels charge the battery using the Energy Management System (EMS). The capacity of the battery ensures that even with poor levels of sunlight over an extended period, the light has enough reserve power to continue to perform reliably.

Stored battery energy is then available to power the output LEDs in one of several modes. These modes are selected using the push button user interface on the light or a Handheld Controller. The most commonly used modes are Autonomous and Temporary modes.

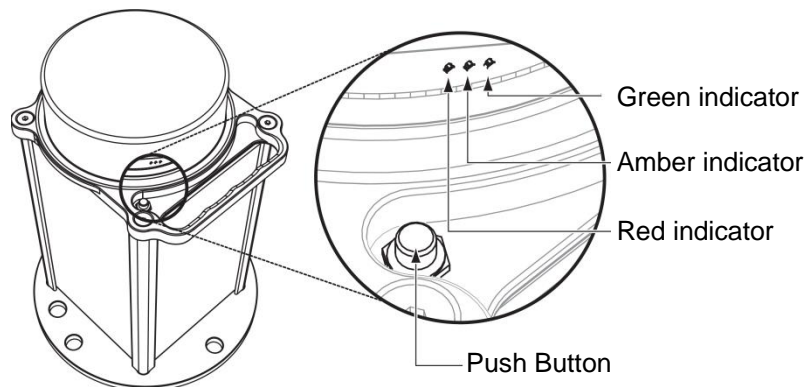
The Handheld Controller is a transmitting radio that sends commands to a receiving radio inside the light. The Handheld Controller is optional and only communicates with lights that have optional wireless control. For Handheld Controller operation and button sequences, see its manual.

4.2 User Interface

4.2.1 Indicator LEDs

Inside the lens, near the push button, are three indicator LEDs that illuminate green, amber or red. They:

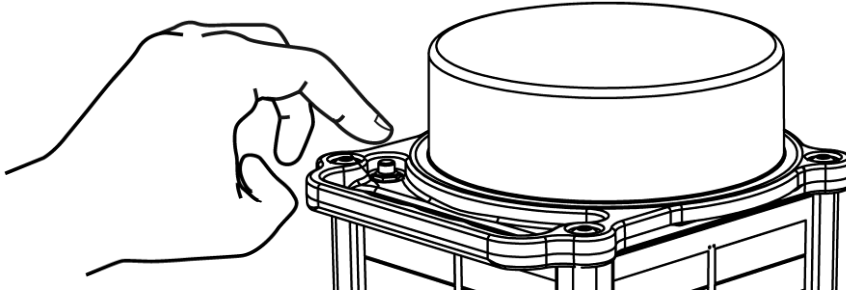
- Guide push button operation
- Indicate diagnostic feedback
- Indicate normal operating state after the push button has not been used for 10 sec.



Indicator	Operating State
All indicators are off	Autonomous or Temporary Mode, Infrared LED output
	Storage Mode
Green indicator flashes 1x every 2 sec.	Autonomous or Temporary Mode, Visible LED output
Amber indicator flashes 1x every 1 sec.	Battery is charging via the external connector
Amber indicator flashes 1x every 2 sec.	Battery is charging via the solar panel

4.2.2 Push Button

The push button is used for configuration and control.



It can be used in conjunction with, or instead of, a Handheld Controller for most modes and features.

The two types of push button inputs are:

- Hold** Pressing and holding the push button down for several seconds will cycle through the command levels
The command level is indicated by the number of amber indicator LED flashes
Once the desired command level has been reached, release the push button
- Press** Momentarily pressing the push button 1x – 5x chooses a command within that command level
Each momentary press must be quick and less than 1 sec.
You must select a command within 10 seconds of entering a command level, otherwise the light exits that command level
The green indicator LED flashes the number of accepted momentary presses
The red indicator LED flashes three times if the command has not been accepted




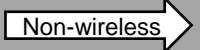
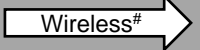


Indicator LED and push button sequences will be referred to as:

[**hold** push button for a group of # amber flashes, **press** push button #]

For example, [4,2] is:

1. Hold the push button for a group of 4x amber flashes
2. Press the push button 2x, green indicator LED flashes quickly 2x to confirm

The following are available push button commands:

Step 1: Hold for a group of flashes	Step 2: Press for command				
	1 press	2 presses	3 presses	4 presses	5 presses
No hold 	Standby Mode [0,1]	Autonomous Low [0,2]	Autonomous Med [0,3]	Autonomous High [0,4]	Flash Toggle [0,5]
1 amber flash 	Temporary Low [1,1]	Temporary Med [1,2]	Temporary High [1,3]	No action	No action
group of 2 amber flashes 	Storage Mode [2,1]	Continuous Low [2,2]	Continuous Med [2,3]	Continuous High [2,4]	No action
group of 3 amber flashes	 Non-wireless Infrared Output ONLY [3,1]	Visible Output ONLY [3,2]	Visible & Infrared Outputs [3,3]	No action	No action
	 Wireless# Infrared Toggle [3,1]#	No action	No action	No action	No action
group of 4 amber flashes 	Battery Check [4,1]	UCS Status [4,2]	No action	No action	No action
group of 5 amber flashes 	No action	Button Lock Toggle [5,2]	No action	No action	Factory Reset [5,5]

NOTE

For optional wireless control, toggling between Visible and Infrared Outputs is done with [3,1] or by using the Handheld Controller. Use the command once to toggle from Visible -> Infrared. A second command will toggle the output from Infrared -> Visible.

4.3 Modes

4.3.1 Autonomous Mode

In Autonomous Mode, the output LEDs turn on during the night and turn off during the day. The change from day-to-night or night-to-day is known as a transition. A built-in ambient brightness sensor detects transitions.

NOTE

Autonomous Mode setting is recommended by a solar simulation.
See solarairportlights.com for a solar simulation for your application.
Correct setting is important to ensure sustainable, year-round operation.

The Autonomous Mode setting is selected by push button sequence [0,2], [0,3], [0,4] or the Handheld Controller:

Setting	Intensity	Output LEDs	Flashing	Active
AUTO LOW*	Low	Visible	No	Dusk-to-dawn
AUTO MED	Medium	Visible	No	Dusk-to-dawn
AUTO HIGH	High	Visible	No	Dusk-to-dawn
AUTO LOW IR	Low	Infrared	No	Dusk-to-dawn
AUTO MED IR	Medium	Infrared	No	Dusk-to-dawn
AUTO HIGH IR	High	Infrared	No	Dusk-to-dawn
AUTO LOW FLASH	Low	Visible	0.25 sec. on, 0.75 sec. off	Dusk-to-dawn
AUTO MED FLASH	Medium	Visible	0.25 sec. on, 0.75 sec. off	Dusk-to-dawn
AUTO HIGH FLASH	High	Visible	0.25 sec. on, 0.75 sec. off	Dusk-to-dawn
AUTO LOW IR FLASH	Low	Infrared	0.25 sec. on, 0.75 sec. off	Dusk-to-dawn
AUTO MED IR FLASH	Medium	Infrared	0.25 sec. on, 0.75 sec. off	Dusk-to-dawn
AUTO HIGH IR FLASH	High	Infrared	0.25 sec. on, 0.75 sec. off	Dusk-to-dawn

NOTE

*Factory default is AUTO LOW, visible LED, steady-on.

4.3.2 Temporary Mode

A Temporary Mode activation interrupts other modes and ignores transitions. This activation lasts for a preset time of 15 minutes and then the light reverts to its previous Autonomous Mode.

NOTE

Maximum number of Temporary Mode activations per day is recommended by a solar simulation. See solarairportlights.com for a solar simulation for your application. Correct usage is important to ensure sustainable, year-round operation.

The Temporary Mode setting is selected by push button sequence [1,1], [1,2], [1,3], or the Handheld Controller:

Setting	Intensity	Output LEDs	Flashing	Activation, Handheld Controller command	Activation, push button command
TEMP LOW	Low	Visible	No	15 min.	60 min.
TEMP MED	Medium	Visible	No	15 min.	60 min.
TEMP HIGH	High	Visible	No	15 min.	60 min.
TEMP LOW IR	Low	Infrared	No	15 min.	60 min.
TEMP MED IR	Medium	Infrared	No	15 min.	60 min.
TEMP HIGH IR	High	Infrared	No	15 min.	60 min.
TEMP LOW FLASH	Low	Visible	0.25 sec. on, 0.75 sec. off	15 min.	60 min.
TEMP MED FLASH	Medium	Visible	0.25 sec. on, 0.75 sec. off	15 min.	60 min.
TEMP HIGH FLASH	High	Visible	0.25 sec. on, 0.75 sec. off	15 min.	60 min.
TEMP LOW IR FLASH	Low	Infrared	0.25 sec. on, 0.75 sec. off	15 min.	60 min.
TEMP MED IR FLASH	Medium	Infrared	0.25 sec. on, 0.75 sec. off	15 min.	60 min.
TEMP HIGH IR FLASH	High	Infrared	0.25 sec. on, 0.75 sec. off	15 min.	60 min.

4.3.3 Continuous Mode

A Continuous Mode activation interrupts other modes and ignores transitions. This activation lasts for an unlimited time duration until the battery is too depleted to continue, or once the operator turns the lights off.

NOTE

Correct usage of continuous mode is important to ensure batteries are not depleted to a degree that may damage the batteries. Batteries must be re-charged after use to maintain battery health and lantern product warranty.

NOTE

On the handheld controller, the SEQ keypad button is used to activate Continuous Mode

The Continuous Mode setting is selected by push button sequence [2,2], [2,3], [2,4], or the Handheld Controller:

Setting	Intensity	Output LEDs	Flashing	Activation, Handheld Controller command	Activation, push button command
SEQ LOW	Low	Visible	No	Continuous	Continuous
SEQ MED	Medium	Visible	No	Continuous	Continuous
SEQ HIGH	High	Visible	No	Continuous	Continuous
SEQ LOW IR	Low	Infrared	No	Continuous	Continuous
SEQ MED IR	Medium	Infrared	No	Continuous	Continuous
SEQ HIGH IR	High	Infrared	No	Continuous	Continuous
SEQ LOW FLASH	Low	Visible	0.25 sec. on, 0.75 sec. off	Continuous	Continuous
SEQ MED FLASH	Medium	Visible	0.25 sec. on, 0.75 sec. off	Continuous	Continuous
SEQ HIGH FLASH	High	Visible	0.25 sec. on, 0.75 sec. off	Continuous	Continuous
SEQ LOW IR FLASH	Low	Infrared	0.25 sec. on, 0.75 sec. off	Continuous	Continuous
SEQ MED IR FLASH	Medium	Infrared	0.25 sec. on, 0.75 sec. off	Continuous	Continuous
SEQ HIGH IR FLASH	High	Infrared	0.25 sec. on, 0.75 sec. off	Continuous	Continuous

4.3.4 Standby Mode

Standby Mode turns off the output LEDs and waits for the next day-to-night transition. After this transition, the light enters its previous Autonomous Mode.

Standby Mode is enabled by push button sequence [0,1] or the Handheld Controller.

4.3.5 Lights Off Mode

Lights Off Mode turns off the output LEDs indefinitely until it receives a command to turn them on.

Lights Off Mode is enabled by the Handheld Controller.

4.3.6 Emergency Mode

Emergency Mode sets all lights in all groups to emergency flash. Emergency flash is TEMP HIGH FLASH. After 15 min., the lights revert to their previous Autonomous modes.

Emergency Mode is enabled by the Handheld Controller.

4.3.7 ARCAL Mode

The Aircraft Radio Control of Aerodrome Lighting (ARCAL) feature works in conjunction with an ARCAL VHF receiver to allow aircraft pilots to control the lights.

ARCAL Mode is enabled by the Handheld Controller.

4.3.8 Storage Mode

Storage Mode is a low power state used for storing or shipping the light. Lights are shipped from the factory in Storage Mode:

- No response to wireless control and no output from the LEDs
- Indicator LEDs are off
- Stores the last mode before entering Storage Mode
- Sunlight or external power will continue to charge the battery

NOTE

If the ambient light level is 30 lux or less for 24 hours, the light will automatically enable Storage Mode. Storage Mode is enabled by push button sequence [2,1]. To disable Storage Mode, press the push button 1x.

4.4 Features

4.4.1 Low Voltage Disconnect

Low Voltage Disconnect (LVD) protects the battery from being discharged to levels low enough to cause permanent damage. When LVD is entered:

- Radio and output LEDs are disabled
- Output LEDs flashes 0.1 sec. every 60 sec. to let the user know the light needs attention
- Red indicator LED is flashing
- Battery continues charging
- When the battery state of charge reaches an acceptable level, LVD is exited.

LVD is enabled in all modes.

4.4.2 Automatic Light Control (Optional)

Automatic Light Control (ALC) is a patented algorithm that matches the light's energy consumption to its energy storage. As the battery state of charge diminishes, ALC decreases the output LED intensity. ALC has 4 intensity steps until finally entering LVD. The ALC step depends on the battery state of charge. This ensures the light will continue to operate through periods of poor sunlight.

ALC is an optional configuration at the time of manufacture. If the A704 is configured for ALC, it will behave as follows:

- Enabled in all Autonomous Modes
- Disabled in all Temporary Modes

4.4.3 External Power – Charge Ports

If continuous high intensity output or backup power is required, external power can be provided to the charge port on the base plate. When connected, external power is used to power up the light and charge its battery.

External power is not a control signal and cannot configure the light. The push button or Handheld Controller is still used for normal operations.

When external power is provided to the connector on the base plate, the light will not exit Temporary Mode after a preset time.

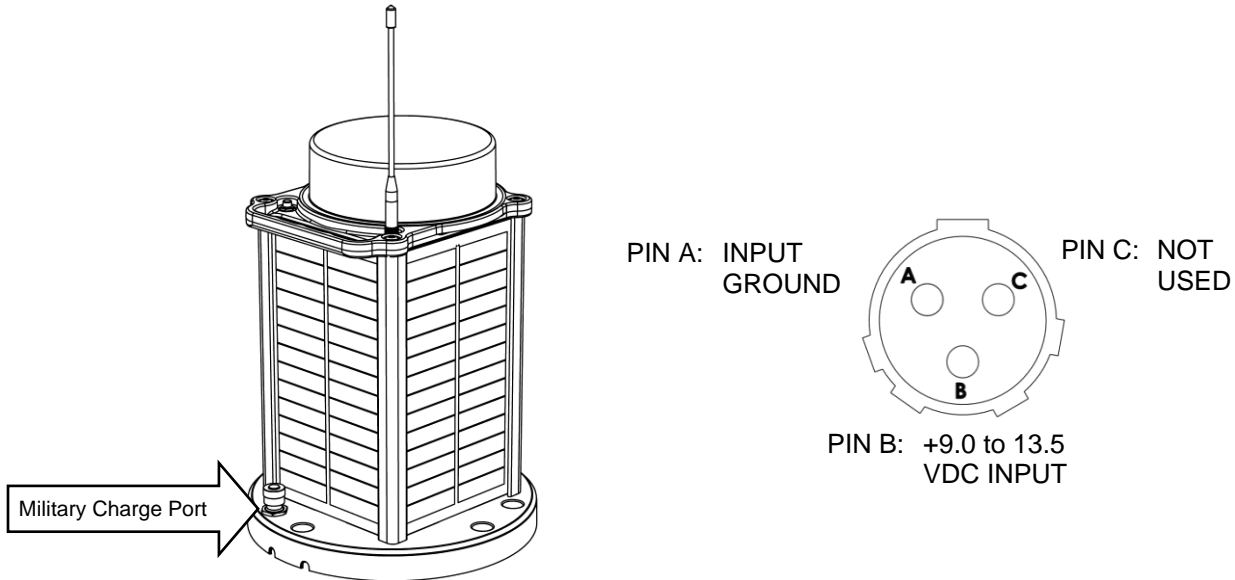
NOTE

It will remain in Temporary Mode until commanded otherwise or until the light detects that external power is no longer available.

There are 2 optional charge ports: charge port and military charge port.

4.4.3.1 Military Charge Port

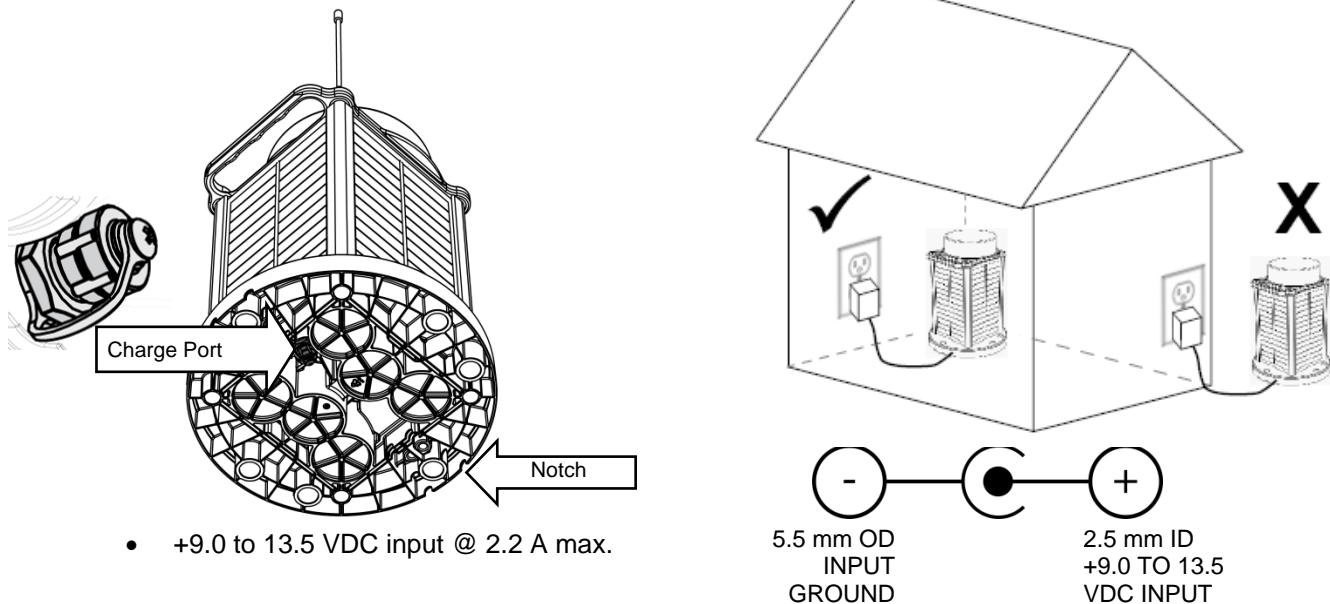
The military charge port is on top of the base plate. Remove the connector cap and attach a power cable terminated with the correct mating connector and pin-out:



- MS3116 connector detailed in MIL-DTL-26482 (approved vendor: Amphenol PT06-E-8-3P-SR-025)
- Connector accepts 24 – 20 AWG stranded wire
- +9.0 to 13.5 VDC input @ 2.2 A max.

4.4.3.2 Charge Port

The charge port underneath the base plate is intended for temporary indoor charging and not for permanent outdoor installations. Remove the connector cap and attach a power cable terminated with a barrel connector. Route the cable out under one of the base plates' notches.



- +9.0 to 13.5 VDC input @ 2.2 A max.

4.4.4 Battery Check

Push button sequence [4,1] checks the battery state of charge. The indicator LEDs then show the following for 10 sec.:

Indicator	Battery State of Charge
Green	Good, 75 – 100%
Amber	Charge, 50 – 75%
Red	10 – 50%
Flashing Red	LVD, $\leq 10\%$

4.4.5 Flash Toggle

Push button sequence [0,5] toggles between steady-on and flashing output LEDs. Rate of flash is 0.25 sec. on, 0.75 sec. off.

4.4.6 Infrared Toggle

Push button sequence [3,1] toggles between visible and infrared output LEDs.

4.4.7 Push Button Lock Toggle

Push button sequence [5,2] toggles between locking and unlocking the push button:

- Red indicator LED flashes 2x when the push button is first locked
- When locked, push button commands are ignored
- If any other push button command is given other than unlocking the push button, the red indicator LED flashes 3x
- Green indicator LED flashes 2x when the push button is unlocked

4.4.8 Diagnose

The battery state of charge and radio health can be queried via the Handheld Controller using its Diagnose function.

NOTE Diagnose is disabled when LVD is entered.

4.4.9 Grouping

Grouping allows independent control of different subsets of lights on an airfield:

- There are 8 groups, numbered 1 through 8
- Each light can be assigned to only one group
- A handheld controller can control multiple groups at a time
- A light can be reassigned to another group as required
- When adding a light to a group, the Handheld Controller re-sends the last mode to everyone in that group

In order to configure the group of a light:

1. Light must be powered for at least 10 sec. and not in Storage Mode
2. Press the push button 1x. This instructs the light to receive grouping configurations from the Handheld Controller for 5 min.
3. Grouping configuration is sent from Handheld Controller
4. After successfully receiving a grouping configuration, the light receives that group's last mode from the Handheld Controller.
5. Light exits its 5 min. window where it would receive grouping configurations.

Factory default is group 1.

NOTE

4.4.10 Unique Code Sequence

Unique Code Sequence (UCS) allows one or more Handheld Controllers to be uniquely associated to one or more lights. When UCS is enabled, the Handheld Controller sends a code with each radio transmission. Only lights configured to accept that particular code will respond to the transmission. The benefits are:

Independence Nearby installations of lights can be operated independently by different Handheld Controllers without interference.

NOTE

Security It is not possible for another Handheld Controller to interrupt airfield operation.

The Handheld Controller cannot control UCS configured and non-UCS configured lights at the same time.

For security, the user has to manually interact with the light for UCS configuration:

1. Light must be on for at least 10 sec. and not in Storage Mode
2. Press the push button 1x. This instructs the light to receive UCS configurations from the Handheld Controller for 5 min.
3. UCS configuration is sent from Handheld Controller
4. After successfully receiving a UCS configuration, the light flashes for 5 seconds

Push button sequence [4,2] requests the UCS status from the indicator LEDs:

Indicator	UCS
Amber	Enabled
Red	Disabled

Factory default is UCS disabled.

4.4.11 Factory Reset

Push button sequence [5,5] performs a Factory Reset that sets the light back to a known state:

- AUTO LOW visible LED, steady-on
- Group 1
- UCS off

Green, amber, and red indicator LEDs momentarily turn on then turn off once the reset is complete.

5.0 Maintenance

5.1 Inspection

Although the light is maintenance-free, significant performance gains can be made with clean solar panels and lenses:

- Clean the solar panels monthly. Use water and a soft sponge or cloth. A mild non-abrasive cleanser can be used for more stubborn residue. Rinse well.
- Clean solar panels and lenses more frequently during drier months, as they may become covered in dust more quickly. A pressure washer is not recommended.
- Visual inspection – check the exterior for cracks, missing or broken hardware or other potential problems.

5.2 Storage & Battery Charging

When storing the light, it is important to maintain the battery:

- Put the light in Storage Mode or disconnect the battery
- Store in a cool location
- Check the battery state of charge once per month

NOTE

Do not use the Lights Off Mode for storing the light.

The radio is still active in this mode and may receive wireless commands.

If charging is required, charge the battery fully using one of several methods:

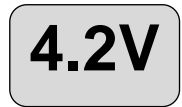
Source	Time to Charge from 10% to 100% State of Charge
Incandescent light bulb, 60 W 12 in. (30 cm) from solar panels	>1000 hrs.
Halogen light bulb, 500 W 24 in. (60 cm) from solar panels	600 hrs.
Direct sunlight	150 hrs.
Available AC plug-in charger attached to the optional charge port	18 hrs.

5.3 Battery Replacement



DO NOT INSTALL A702, A703, A704-5, A704-H, 800 Series BATTERY PACKS

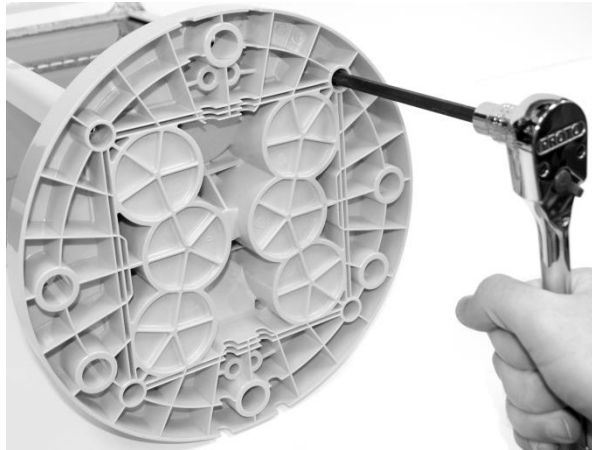
A704 battery packs are nominal 4.2 vdc and have unique harnessing. Use of an incorrect battery pack will damage the EMS permanently. Look for the red 4.2V label on the top of the pack.



A704 is configurable and has several battery pack options. This instruction shows a typical battery pack.

If the battery is permanently damaged and needs to be replaced:

1. Remove the four base plate screws using a 5/32 in. hex driver

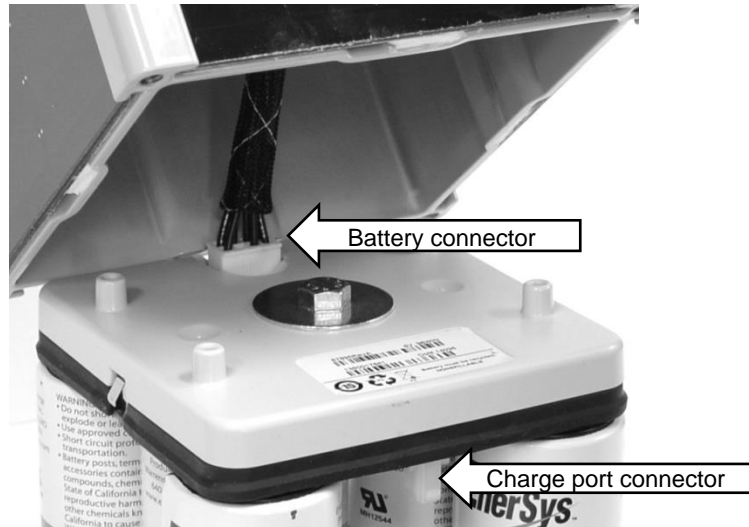


2. Pull upwards on the handle to slowly separate the chassis from the base plate





3. Disconnect the locking battery harness and remove the chassis; disconnect the optional, locking charge port harness



4. Using a ½ in. hex socket, remove the central bolt and its hardware

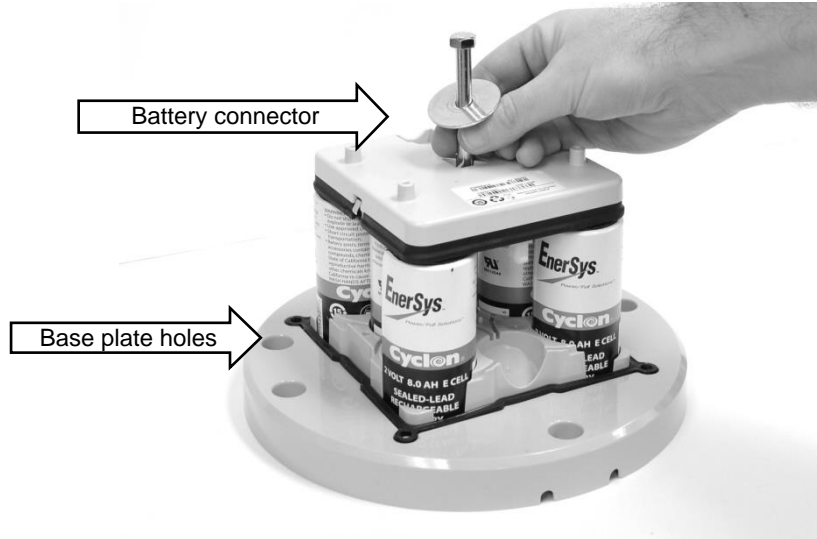


5. Pull the battery up and over its mounting post

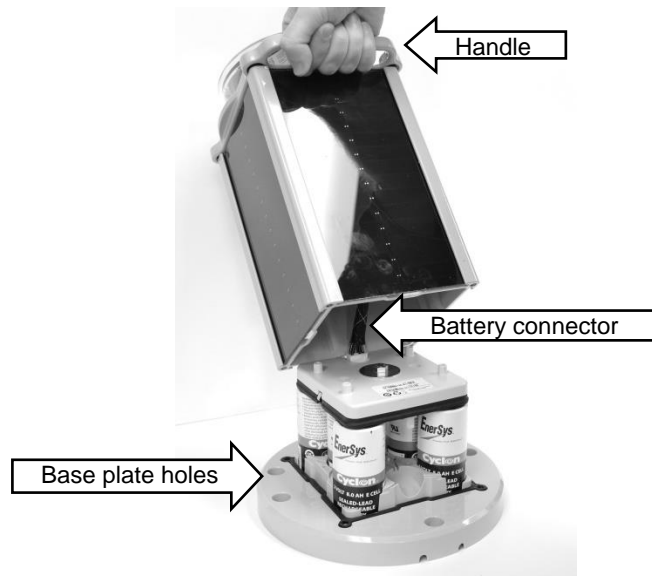


Installing a battery pack is similar to the above steps:

1. Slide the battery pack over the mounting post, noting the correct orientation to the base plate



2. Tighten the central bolt and its hardware to 40 in.-lbs.
3. Connect the optional charge port harness
4. Ensure the base plate gasket is clean and seated in its groove
5. Hold the chassis over the battery pack and connect the battery harness
6. Align the handle with the base plate and battery pack and slowly slide the chassis down



7. Tighten four base plate screws to 40 in.-lbs.

5.4 Recycling

This product required the extraction and use of natural resources. It may contain substances that could be harmful to the environment or human health if improperly handled at the product's end of life. In order to avoid release of such substances into the environment and to reduce the use of natural resources, we encourage you to recycle the product in an appropriate way that will ensure most of the materials are reused or recycled appropriately. Check your local municipality for electronics recyclers.



The symbol indicates that this product complies with the European Union's requirements according to Directive 2002/96/EC on waste electrical and electronic equipment (WEEE).



The battery is a rechargeable lead-acid battery. Consult your local laws for information on recycling.

5.5 A704 Head Replacement on A704-5 Chassis

If you have an A704-5 and you have received an A704 head replacement please follow these instructions below.

To determine if your light is an A704-5 please check the white label located on the circuit board inside the lens. See the pictures below for examples of an A704-5.



Use extreme caution when handling the batteries. Do not allow any metal object to contact the exposed battery terminals.



1. Remove the four top head screws using the included 5/32 in. security hex driver included in the kit.



2. Lift off the head by the handle and disconnect the white connector by pressing the latch and pulling apart.



3. Remove the main head connector by pressing on the two raised sides and pulling straight apart.



Be very careful not to bend or damage pins in this connector. It may short the battery or permanently damage the connector.



4. Using a #2 Phillips screwdriver, remove the ground screw from the top of the head. This screw can be recycled since it will no longer be used with the new head.



Do not leave the screw loose in the bottom of the chassis as this could cause damage to the light during handling.

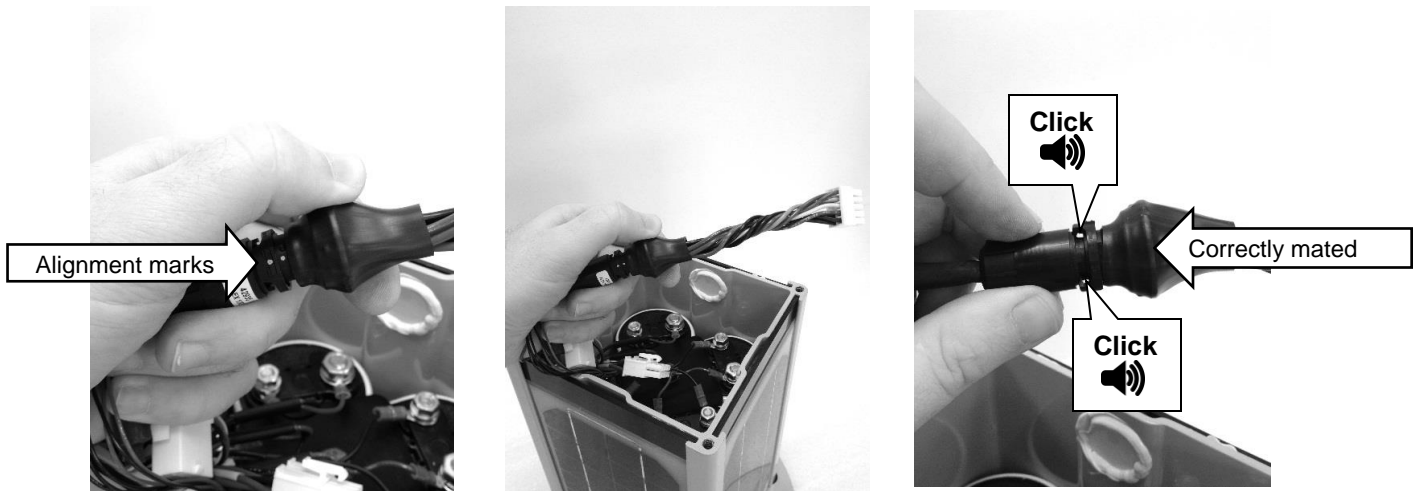


5. Using a 1/2 in. hex socket, remove the battery retention bolt holding down the ground cable. Remove the ground cable and recycle. Reinstall the battery retention bolt and hardware; tighten to 200 in. lbs.

6. Install the adaptor harness that came in the kit onto the main head connector. Ensure the white dots are aligned. Press the two sides together until two audible clicks are heard.



Care must be taken to ensure that the pins in the adaptor harness are aligned correctly or a battery short circuit may occur.



7. Reconnect the battery harness and press together until it is latched.



8. Connect the free end of the harness to head connector. The indicator LEDs will light and then start blinking.

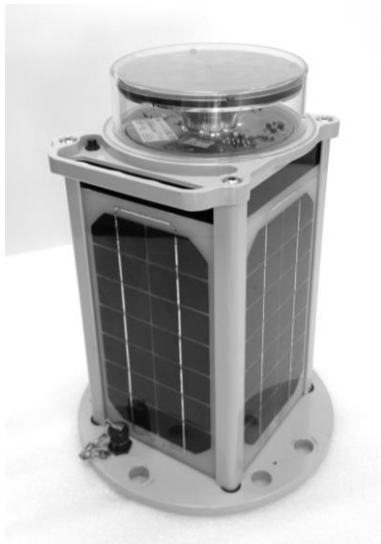
NOTE

The head handle must be aligned with the military charge port.



9. Place head on to light ensuring no wires are pinched between the chassis body and the head. Also, ensure the gasket is inside the groove in the head. Reinstall the four top security hex screws in in a star pattern, tighten to 70 in.-lbs.

NOTE The plastic washer is no longer needed and can be recycled.



10. The head replacement is complete and your light is ready for service.

6.0 Troubleshooting

Symptom	Feedback	Cause	Solution
Output LEDs are off Unresponsive to wireless control	All indicator LEDs are off	Infrared output LEDs are on	De-select the IR button on the Handheld Controller and send a visible output command; Use push button infrared toggle [3,1]
		Storage Mode is active	De-activate Storage Mode by pressing push button 1x
	Output LEDs flash once every 60 sec; Red indicator LED is flashing	LVD is entered	Charge the battery
Output LEDs are on or off Unresponsive to wireless control	Green indicator LED is flashing;	Mismatched groups	Ensure the Handheld Controller's and light's group match
		UCS is enabled	Ensure the Handheld Controller's and light's UCS match or turn off UCS
		Antenna not installed	Ensure the light's antenna is properly installed
		Handheld Controller problem	Check Handheld Controller battery, PIN status and Pass through
Output LEDs are off Unresponsive to wireless control Unresponsive to push button	All indicator LEDs are off	Battery is bad	Replace the battery
		Battery is not connected	Check that the battery connector is fully inserted
Output LEDs are off in Autonomous Mode	All indicator LEDs are off	Infrared output LEDs are on	De-select the IR button on the Handheld Controller and send a visible output command; Use push button infrared toggle [3,1]
		Green indicator LED is flashing	Darken the entire light and wait 20 sec. for the light to turn on
	Nearby lights are illuminating the ambient brightness sensor	Increase distance between lights, turn off unneeded lights or shield lights	

7.0 Warranty

This product is covered by the Flash Technology warranty. Visit flashtechnology.com/terms-conditions for additional information.

Before contacting Flash Technology's customer service department, please have the serial number of your light available, a brief description of the problem, as well as all details of the installation and recharging efforts.

To contact Customer Service:

Mail: Flash Technology
332 Nichol Mill Lane
Franklin, TN 37067 USA

Phone: 1.800.821.5825 (toll-free)

Fax: 1.615.261.2600

Email: customerservice@flashtechnology.com

Website: flashtechnology.com/airfield