



A650 Solar Runway, Taxiway and Barricade Light

The A650 meets traditional airfield requirements for taxiways and general purpose marking.

- ICAO and FAA compliant
- Intensity greater than 10 candela
- Dusk to dawn or ondemand operation
- Infrared LEDs for NVG compatibility available

Applications

- Taxiway and apron edge
- Construction, barricades and fences
- Temporary and permanent markings
- Helipads
- Hazard marking

Compliant Output

FAA L-861T and ICAO Annex 14. The A650 wireless blue is compliant with the requirements of ICAO Annex 14 Volume 1 6th edition.

Easy Installation and Relocation

No specialized work crew required. Lights are immediately operational with limited air traffic disruption. The A650 can be quickly relocated for temporary or emergency applications.

Self-Contained and Low Maintenance

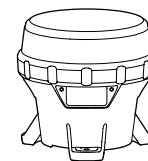
All components are incorporated within a compact, stand-alone unit. The A650 features a replaceable battery pack that extends the service life beyond 5 years, reducing the total cost of ownership and resulting in significant cost savings.

Unprecedented Reliability

Energy Management System (EMS) monitors and adapts the brightness to environmental conditions for consistent operation and long life under the toughest conditions.

User-Friendly

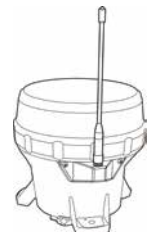
Easy configuration and programming options, including onboard user interface, Infrared Programmer and device manager software through USB connection or optional wireless control system offering secure 900 MHz.



A650 Non-Wireless



Optional Infrared Programmer



A650 Wireless



- Optional Handheld Controller
- 2.5 mi (4 km) control range
 - 900 MHz with encrypted signal
 - Control 8 groups of lights independently

A650

SPECIFICATIONS

Compliance	FAA L-861T per AC 150/5345-46D
	ICAO Annex 14 Vol 1, 5th edition blue taxiway light
Solar Panel	Barricade and construction applications at Commercial Part 139 Airports under FAA Advisory Circular AC 150/5370-2E
	High-efficiency cells with bypass and blocking diode function
Battery	Maximum power point tracking (MPPT) for optimal energy collection
	Tool-less, replaceable and recyclable battery pack with extreme temperature range
Light Source	Battery status feedback of good, charge or bad (replace)
	2500 cycles or 7-year lifetime on average
Intensity	High-powered LED
	Color-specific temperature-corrected LED drivers provide consistent intensity under all operating conditions
Flash Patterns	Greater than 10 cd intensity, steady-on in certain colors
	256+ (non-wireless)
Construction	Steady-on mode and flash patterns (wireless)
	Premium-grade, UV-resistant, polycarbonate/polysiloxane co-polymer body and lens material
Colors	Double O-ring sealing with waterproof vent
	Blue, red, yellow, green, white and red/green
Operating Temperature	ICAO and SAE25050 (FAA) compliant chromaticity
	NVG-compatible infrared LEDs (wireless only)
Storage Temperature	-45 to 124 °F (-43 to 51 °C) ambient temperature
	Functions up to 190 °F (88 °C) internal and surface temperatures
Color Indicator	Yes, FAA Eng. Brief 67 compliant
Weight	3.5 lbs (1.6 kg)
Wind Loading	400 mph (644 kph)
Automatic Light Control (ALC)	When enabled, automatically adjust to low levels of sunlight to ensure continuous operation
Radio Receiver	900 MHz ISM (wireless)
Range	Up to 2.5 mi (4 km) (wireless)
Humidity, Immersion, Vibration, Shock	MIL-STD-202G
Ingress	EN 60945 ESD, EMI, EMC; IP68; L70
	MIL-STD-810G solar radiation & salt fog

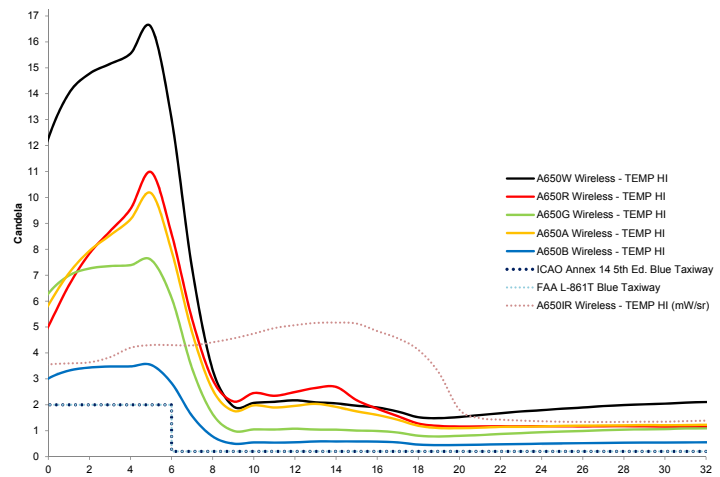
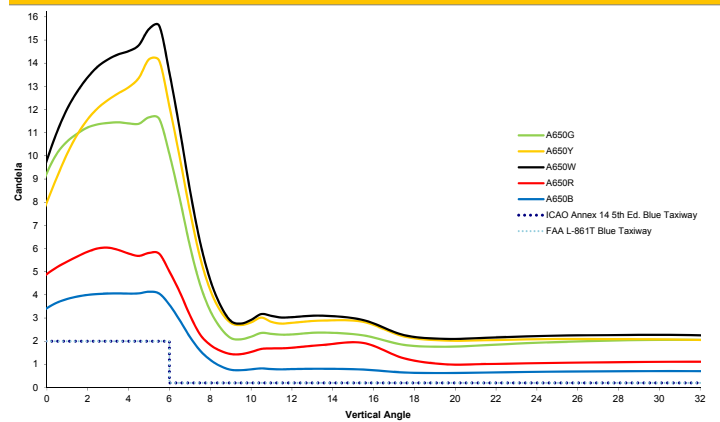
CONFIGURATION

Model	Output	Switch	Control
A650	Red Green Red/Green White Yellow Blue	Non-switched Switched*	Non-wireless Wireless*

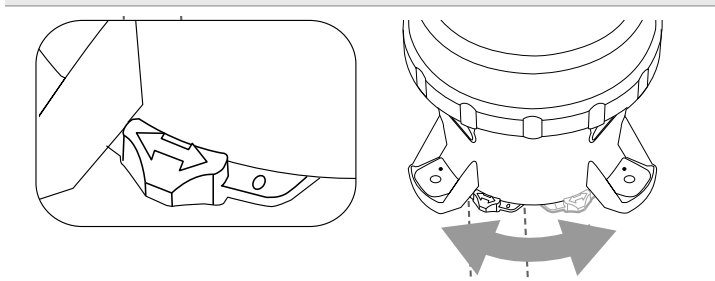
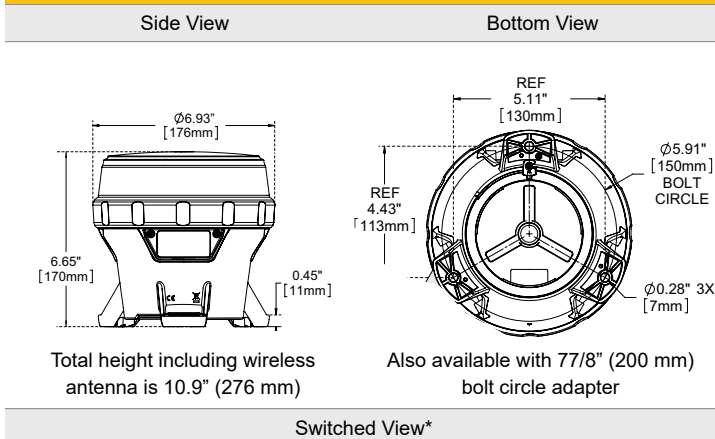


*A650 wireless version must have switch.

A650 INTENSITY



DIMENSIONS



FLASH TECHNOLOGY

flashsales@spx.com | flashtechnology.com/airfield | 1.615.503.2000

©2019 Flash Technology. All rights reserved. Data and specifications subject to change without notification. ISO 9001:2015. DA650-01 Rev A